

SHALLOW SKIRTED CLOSURES

33-400-86 S



Specifications:

DIAMETER 33 mm
THREAD PROFILE 400
NECK FINISH 33-400
CLOSURE TOP Stipple
CLOSURE SIDEWALL Smooth
MATERIAL PP

PACKAGING & FREIGHT INFORMATION

| PACK TYPE | PCS/CTN | CTNS/PALT | PCS/PALT | CTN WT* | PALT WT* | FRT CLASS |
|--|---------|-----------|--|-------------------|--------------------|--------------------|
| Bulk | 5,000 | 15 | 75,000 | 32 ⁽¹⁾ | 474 ⁽¹⁾ | 100 ⁽¹⁾ |
| CARTON DIMENSIONS: 24 x 16 x 15 | | | PALLET DIMENSIONS: 48 x 40 x 50 | | | |

(1) Unlined Closures (2) Lined Closures *Approximate

MARKETS

Dressings & Sauces, Food, Food Service, Personal Care & Cosmetics.

CLOSURE BENEFITS

- Popular for mayonnaise products and dressings

OPTIONS

Available in white, standard colors and custom colors.

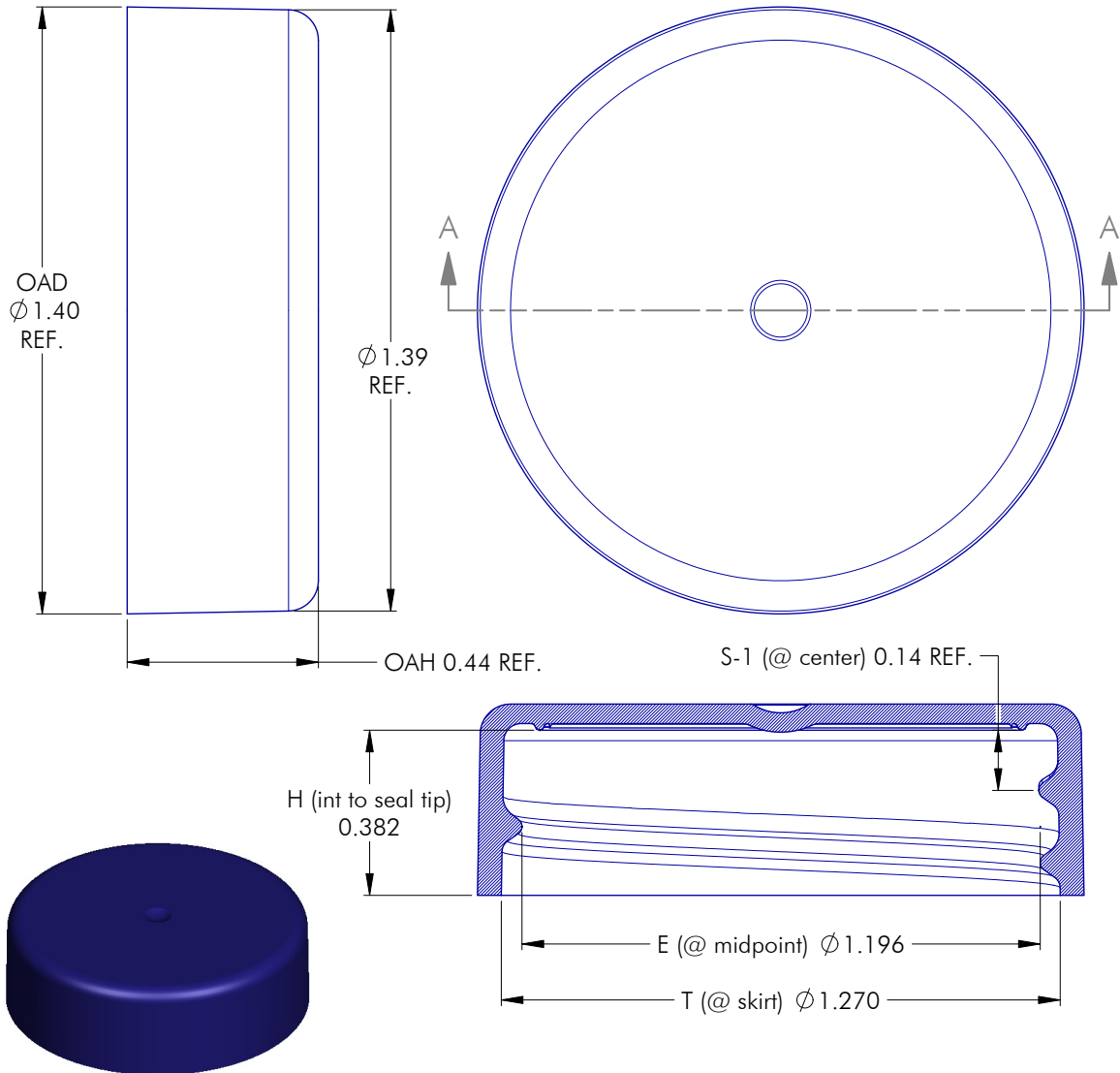


PHXPKG.COM

P 630 420 4750 E greatpkg@phxpkg.com
1899 High Grove Lane Naperville, IL 60540

SHALLOW SKIRTED CLOSURES

33-400-86 S



| | | | | | | | | | | | | |
|---|--|--|--|-----------|-----------|----------------------------|-------|------|----------|-------|-------|-----|
| NOTES: (UNLESS OTHERWISE SPECIFIED) | | | | 4 | 07.26.12 | Modified Seal Ring Profile | DN | | | | | |
| 1. ALL DIMENSIONS ARE IN INCHES. | | | | REV | DATE | DESCRIPTION | BY | | | | | |
| 2. SEE CHART FOR DIMENSIONAL TOLERANCE. | | | | TOLERANCE | PITCH/TPI | .167 / 6 | TURNS | | | | | |
| THIS OR FACSIMILE THEREOF IS THE EXCLUSIVE PROPERTY OF PHOENIX AND MAY NOT BE REPRODUCED WITHOUT THE EXPRESSED WRITTEN CONSENT OF PHOENIX. SOME OR ALL OF THE ITEMS DEPICTED ON THIS DRAWING MAY BE COVERED BY CURRENT PATENTS OR PATENTS APPLIED FOR BY PHOENIX. | | | | .X | ±0.1 | 1-1/8 | MAT'L | | | | | |
| | | | | .XX | ±0.02 | DRAWN | DMN | DATE | 05.23.12 | SCALE | 3 : 1 | REV |
| | | | | .XXX | ±0.010 | 33 - 400 - 86 S | | | | 4 | | |



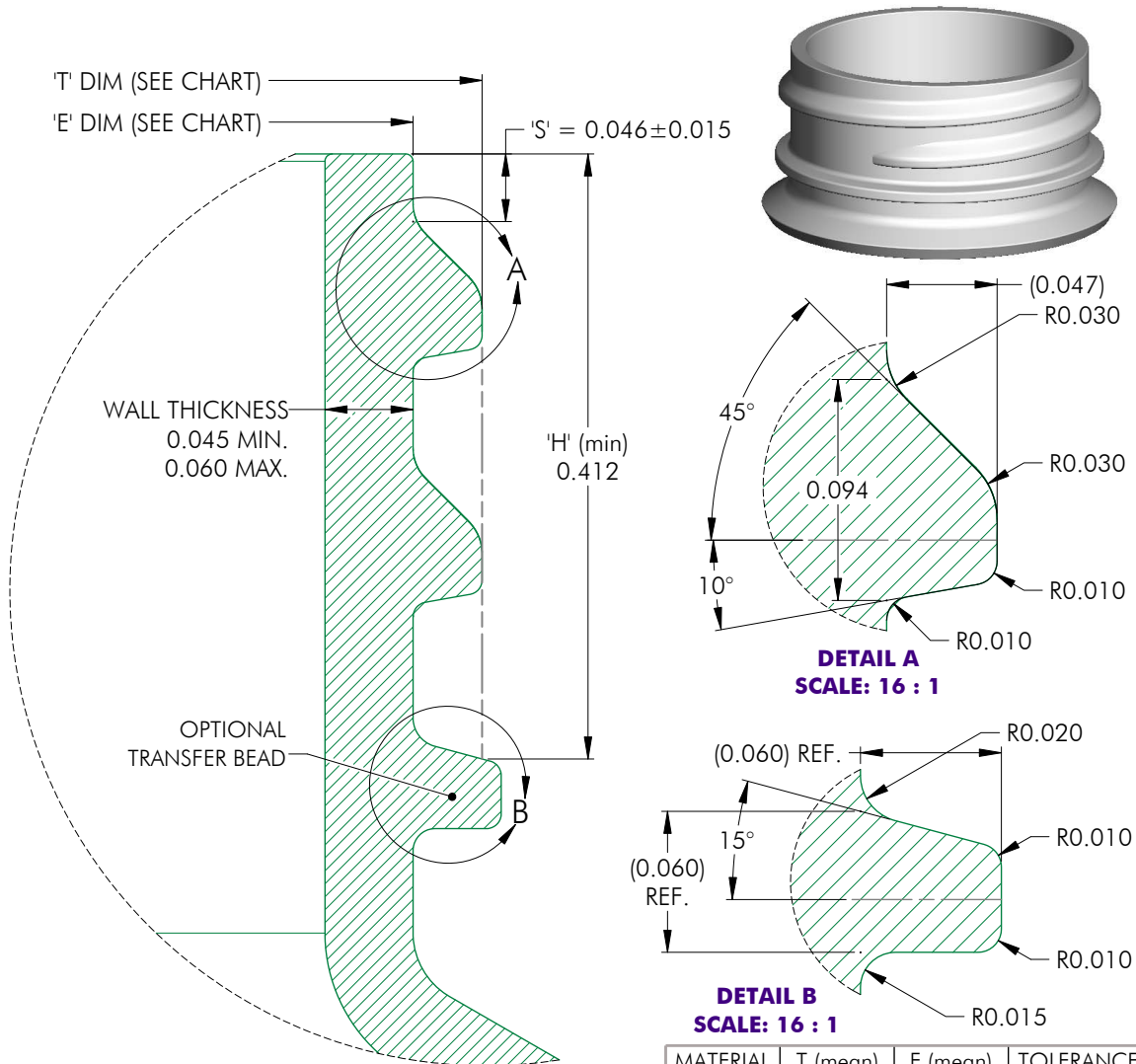
PHOENIX™

PHXPKG.COM

P 630 420 4750 E greatpkg@phxpkg.com
1899 High Grove Lane Naperville, IL 60540

SHALLOW SKIRTED CLOSURES

33-400-86 S



| MATERIAL | T (mean) | E (mean) | TOLERANCE |
|----------|----------|----------|-----------|
| PP / PE | 1.253 | 1.159 | ± 0.012 |
| PET | 1.257 | 1.163 | ± 0.008 |
| GLASS | 0.0000 | 0.0000 | ± 0.0000 |

| | | | | |
|---|-----------|--------------------------------|---|-----------------|
| NOTES: (UNLESS OTHERWISE SPECIFIED) 1. ALL DIMENSIONS ARE IN INCHES. 2. SEE CHART FOR DIMENSIONAL TOLERANCE. THIS OR FACSIMILE THEREOF IS THE EXCLUSIVE PROPERTY OF PHOENIX AND MAY NOT BE REPRODUCED WITHOUT THE EXPRESSED WRITTEN CONSENT OF PHOENIX. SOME OR ALL OF THE ITEMS DEPICTED ON THIS DRAWING MAY BE COVERED BY CURRENT PATENTS OR PATENTS APPLIED FOR BY PHOENIX. | 1 | 03.13.17 | Update wall thickness to reflect Market | DN |
| | REV | DATE | DESCRIPTION | BY |
| | TOLERANCE | PITCH/TP/1.167 / 6 TURNS 1-1/8 | | MAT'L PER CHART |
| | .X ±0.1 | DRAWN DMN | DATE 03.13.17 | SCALE 10:1 |
| | .XX ±0.02 | 33 - 400 - FINISH | | |
| .XXX ±0.010 | | | | 1 |

