

DISPENSING CLOSURES

# 28-DIS-CR25 U Oasis®



## Specifications:

- DIAMETER** 28 mm
- THREAD PROFILE** 410
- NECK FINISH** 28-410
- CLOSURE TYPE** Flip-top dispensing
- CLOSURE TOP** Smooth
- CLOSURE SIDEWALL** Ribbed
- MATERIAL** PP

### PACKAGING & FREIGHT INFORMATION

PACK TYPE	PCS/CTN	CTNS/PALT	PCS/PALT	CTN WT*	PALT WT*	FRT CLASS
Bulk	3,100	15	46,500	TBD <sup>(1)</sup>	TBD <sup>(1)</sup>	TBD <sup>(1)</sup>
<b>CARTON DIMENSIONS: 24 x 16 x 15</b>			<b>PALLET DIMENSIONS: 48 x 40 x 50</b>			

(1) Unlined Closures (2) Lined Closures \*Approximate

### MARKETS

Hand sanitizer, Liquid Soaps, Shampoos, Skin Care, Gels, Lotions, Syrup, Honey, Cleansers, Cleansing Liquids.

### OPTIONS

Available in white, standard, and custom colors.

### CLOSURE BENEFITS

- 0.25" orifice
- Crab-claw linerless seal
- Leak-free design
- Oasis® flip-top dispensing closure
- Popular for hand sanitizers
- Popular for personal care items

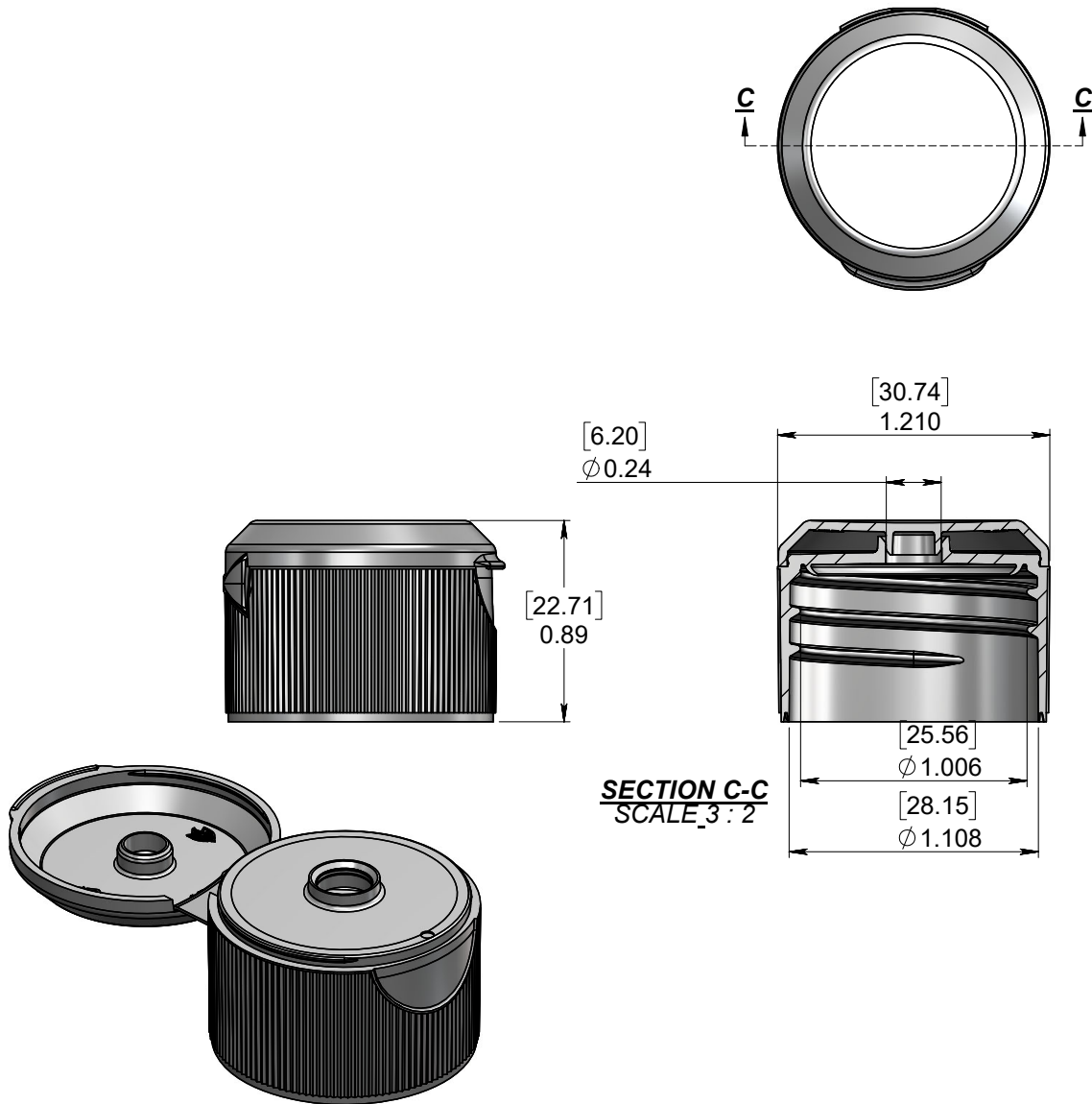


PHXPKG.COM

P 630 420 4750 E greatpkg@phxpkg.com  
975 Meridian Lake Drive • Aurora, IL 60504

DISPENSING CLOSURES

# 28-DIS-CR25 U Oasis™



<p>NOTES: (UNLESS OTHERWISE SPECIFIED)                  1. ALL DIMENSIONS ARE IN INCHES.                  2. SEE CHART FOR DIMENSIONAL TOLERANCE.</p> <p>THIS OR FACSIMILE THEREOF IS THE EXCLUSIVE PROPERTY OF PHOENIX AND MAY NOT BE REPRODUCED WITHOUT THE EXPRESSED WRITTEN CONSENT OF PHOENIX. SOME OR ALL OF THE ITEMS DEPICTED ON THIS DRAWING MAY BE COVERED BY CURRENT PATENTS OR PATENTS APPLIED FOR BY PHOENIX.</p>	D	04.20.20	Finalize Design, Add PCI Logo			TCS
	REV	DATE	DESCRIPTION			BY
	TOLERANCE	PITCH/TPI .167 / 6		TURNS 1	MAT'L PP	
	.X ±0.1	DRAWN RAG	DATE 04.16.20	SCALE 1.5 : 1	REV	
.XX ±0.02	<b>028 - DIS - CR25 U</b>					D
.XXX ±0.010						

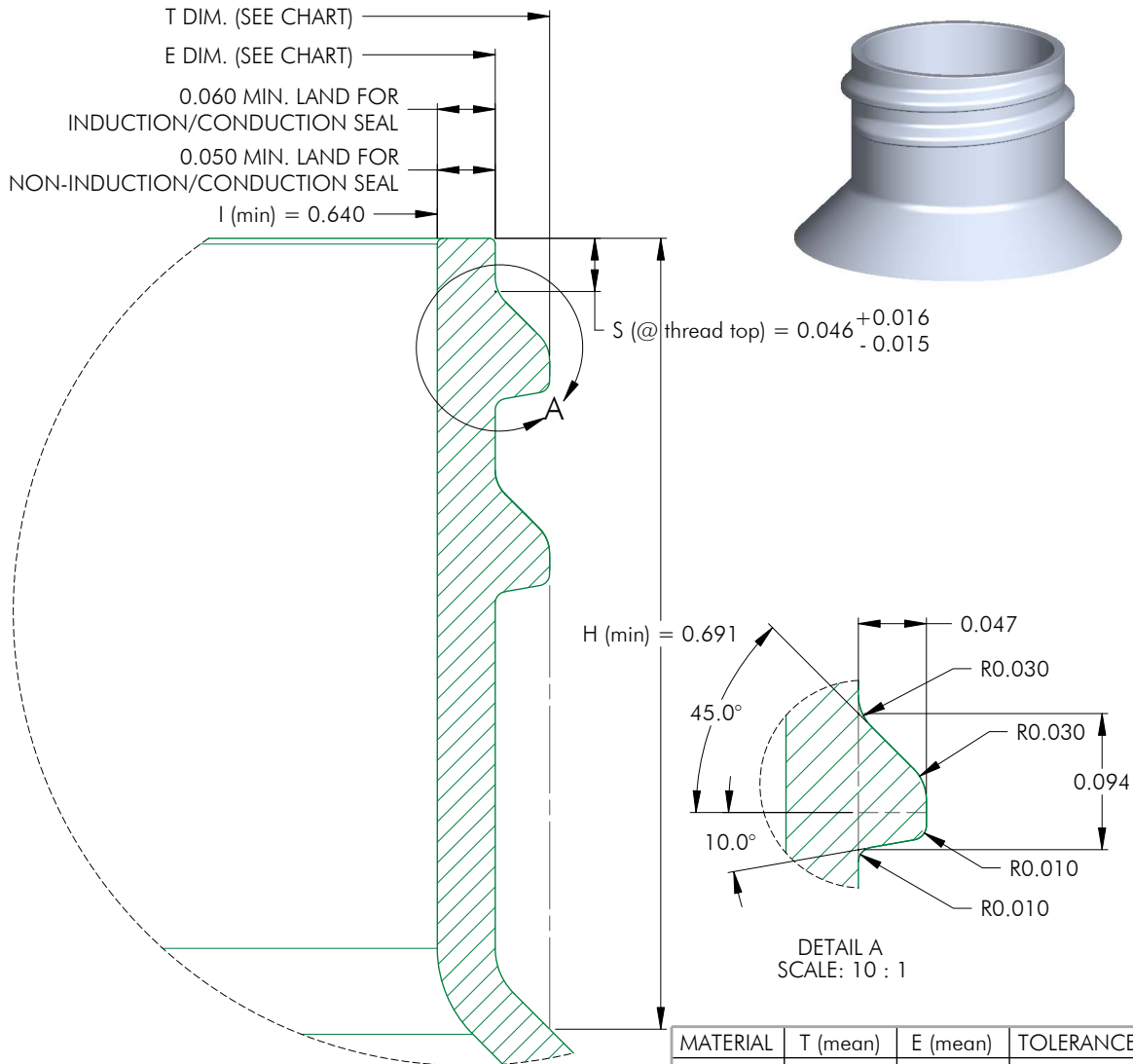


PHXPKG.COM

P 630 420 4750 E greatpkg@phxpkg.com  
 975 Meridian Lake Drive • Aurora, IL 60504

DISPENSING CLOSURES

# 28-DIS-CR25 U Oasis™



MATERIAL	T (mean)	E (mean)	TOLERANCE
PP / PE	1.078	0.984	± 0.010
PET	1.078	0.984	± 0.006
GLASS	N/A	N/A	± N/A

<p>NOTES: (UNLESS OTHERWISE SPECIFIED)                  1. ALL DIMENSIONS ARE IN INCHES.                  2. SEE CHART FOR DIMENSIONAL TOLERANCE.</p> <p>THIS OR FACSIMILE THEREOF IS THE EXCLUSIVE PROPERTY OF PHOENIX AND MAY NOT BE REPRODUCED WITHOUT THE EXPRESSED WRITTEN CONSENT OF PHOENIX. SOME OR ALL OF THE ITEMS DEPICTED ON THIS DRAWING MAY BE COVERED BY CURRENT PATENTS OR PATENTS APPLIED FOR BY PHOENIX.</p>	0	10.19.18	Released	BZ			
	REV	DATE	DESCRIPTION	BY			
	TOLERANCE	PITCH/TPI	1.67 / 6	TURNS	1-1/4	MAT'L PER CHART	
	.X ±0.1	DRAWN	BEZ	DATE	10.19.04	SCALE	8 : 1
.XX ±0.02	<b>28 - 410 - FINISH</b>				0		
.XXX ±0.010							



PHXPKG.COM

P 630 420 4750 E greatpkg@phxpkg.com  
 975 Meridian Lake Drive • Aurora, IL 60504