

MEDIUM & DEEP SKIRTED CLOSURES

# 24-410-62 S



## Specifications:

**DIAMETER** 24 mm  
**THREAD PROFILE** 410  
**NECK FINISH** 24-410  
**CLOSURE TOP** Stipple  
**CLOSURE SIDEWALL:** Fine Ribbed  
**MATERIAL** PP

### PACKAGING & FREIGHT INFORMATION

PACK TYPE	PCS/CTN	CTNS/PALT	PCS/PALT	CTN WT*	PALT WT*	FRT CLASS
Bulk	5,500	15	82,500	29 <sup>(1)</sup>	441 <sup>(1)</sup>	100 <sup>(1)</sup>
Bulk	5,500	15	82,500	31 <sup>(2)</sup>	471 <sup>(2)</sup>	100 <sup>(2)</sup>
<b>CARTON DIMENSIONS:</b> 24 x 16 x 15			<b>PALLET DIMENSIONS:</b> 48 x 40 x 50			

(1) Unlined Closures (2) Lined Closures \*Approximate

### MARKETS

Automotive, Industrial, and Medical Products, Household Chemicals, Personal Care & Cosmetics, Dressings & Sauces, Food, Food Service and Pharmaceuticals.

### OPTIONS

Available in white, standard colors and custom colors. Can be lined with a wide variety of liner systems.

### CLOSURE BENEFITS

- A great general-purpose closure
- Fine-ribbed sides are easier to grip
- Our most popular closure style



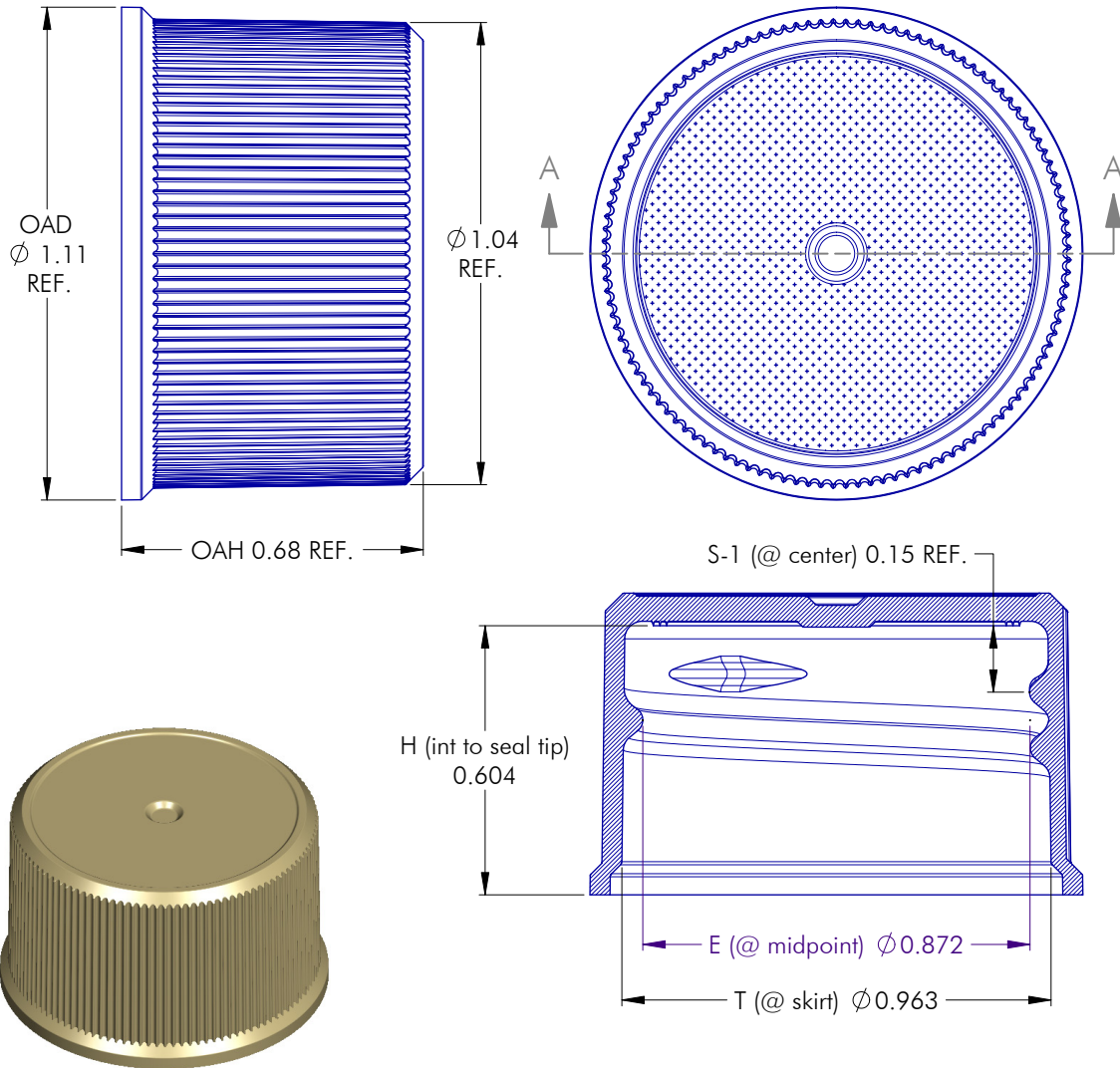
**PHOENIX™**

PHXPKG.COM

P 630 420 4750 E greatpkg@phxpkg.com  
975 Meridian Lake Drive • Aurora, IL 60504

MEDIUM & DEEP SKIRTED CLOSURES

# 24-410-62 S



NOTES: (UNLESS OTHERWISE SPECIFIED)  
 1. ALL DIMENSIONS ARE IN INCHES.  
 2. SEE CHART FOR DIMENSIONAL TOLERANCE.

THIS OR FACSIMILE THEREOF IS THE EXCLUSIVE PROPERTY OF PHOENIX AND MAY NOT BE REPRODUCED WITHOUT THE EXPRESSED WRITTEN CONSENT OF PHOENIX. SOME OR ALL OF THE ITEMS DEPICTED ON THIS DRAWING MAY BE COVERED BY CURRENT PATENTS OR PATENTS APPLIED FOR BY PHOENIX.

REV	DATE	DESCRIPTION	BY
5	09.26.11	Modified Interior Wall	DN
TOLERANCE		PITCH/TPI .125 / 8	TURNS 1-1/8
		MAT'L	PP
.X	±0.1	DRAWN BEZ	DATE 07.11.04
.XX	±0.02	SCALE	3 : 1
.XXX	±0.010	<b>24 - 410 - 62 S</b>	
			<b>5</b>

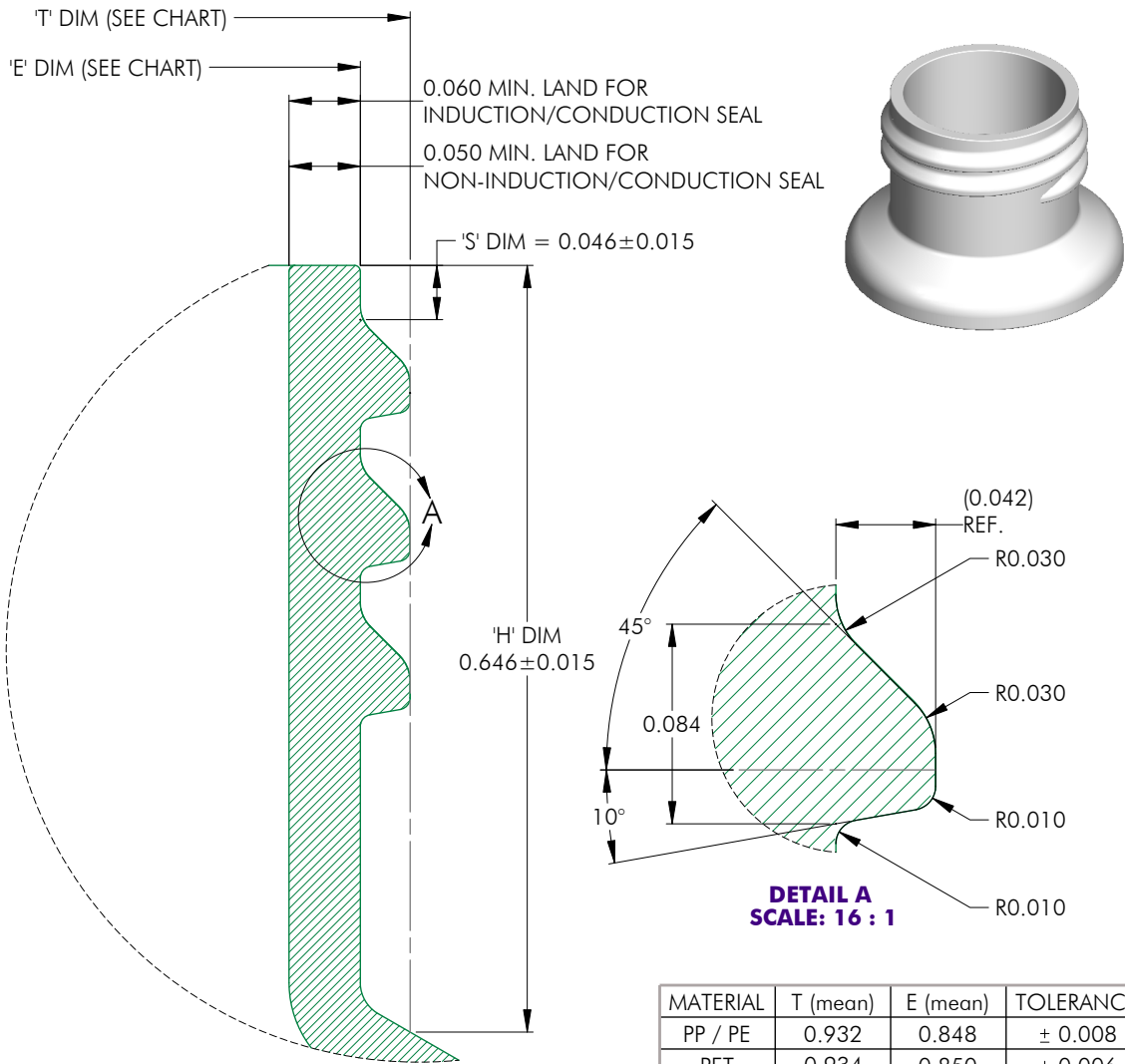


PHXPKG.COM

P 630 420 4750 E greatpkg@phxpkg.com  
 975 Meridian Lake Drive • Aurora, IL 60504

MEDIUM & DEEP SKIRTED CLOSURES

# 24-410-62 S



MATERIAL	T (mean)	E (mean)	TOLERANCE
PP / PE	0.932	0.848	± 0.008
PET	0.934	0.850	± 0.006
GLASS	N/A	N/A	± N/A

NOTES: (UNLESS OTHERWISE SPECIFIED)		0	10.19.04	Released	BZ
1. ALL DIMENSIONS ARE IN INCHES.		REV	DATE	DESCRIPTION	BY
2. SEE CHART FOR DIMENSIONAL TOLERANCE.		TOLERANCE	PITCH/TPI	.125 / 8	TURNS
THIS OR FACSIMILE THEREOF IS THE EXCLUSIVE PROPERTY OF PHOENIX AND MAY NOT BE REPRODUCED WITHOUT THE EXPRESSED WRITTEN CONSENT OF PHOENIX. SOME OR ALL OF THE ITEMS DEPICTED ON THIS DRAWING MAY BE COVERED BY CURRENT PATENTS OR PATENTS APPLIED FOR BY PHOENIX.		.X	±0.1	DRAWN	BEZ
		.XX	±0.02	DATE	10.19.04
		.XXX	±0.010	SCALE	8 : 1
		<b>24 - 410 - FINISH</b>			REV
					0



PHXPKG.COM

P 630 420 4750 E greatpkg@phxpkg.com  
975 Meridian Lake Drive • Aurora, IL 60504