

SMOOTH TOPS & SIDES

83-400-85 S



Specifications:

DIAMETER 83 mm
THREAD PROFILE 400
NECK FINISH 83-400
CLOSURE TOP Smooth
CLOSURE SIDEWALL Smooth
MATERIAL PP

PACKAGING & FREIGHT INFORMATION

PACK TYPE	PCS/CTN	CTNS/PALT	PCS/PALT	CTN WT*	PALT WT*	FRT CLASS
Bulk	550	15	8,250	19 ⁽¹⁾	287 ⁽¹⁾	125 ⁽¹⁾
Bulk	550	15	8,250	21 ⁽²⁾	318 ⁽²⁾	125 ⁽²⁾
CARTON DIMENSIONS: 24 x 16 x 15			PALLET DIMENSIONS: 48 x 40 x 50			

(1) Unlined Closures (2) Lined Closures *Approximate

MARKETS

Nutraceuticals, Personal Care & Cosmetics, and Pharmaceuticals.

OPTIONS

Available in white, standard, and custom colors. Can be lined with a variety of liner systems including SureSeal (foam), pressure sensitive and heat induction (foil) liners. Off-set printing is available in up to three colors. Liners can be cut with a pull-tab easy-open feature.

CLOSURE BENEFITS

- Smooth top and sides lend a “clean” look to the package
- Popular for vitamins and nutraceuticals
- Popular for cosmetics



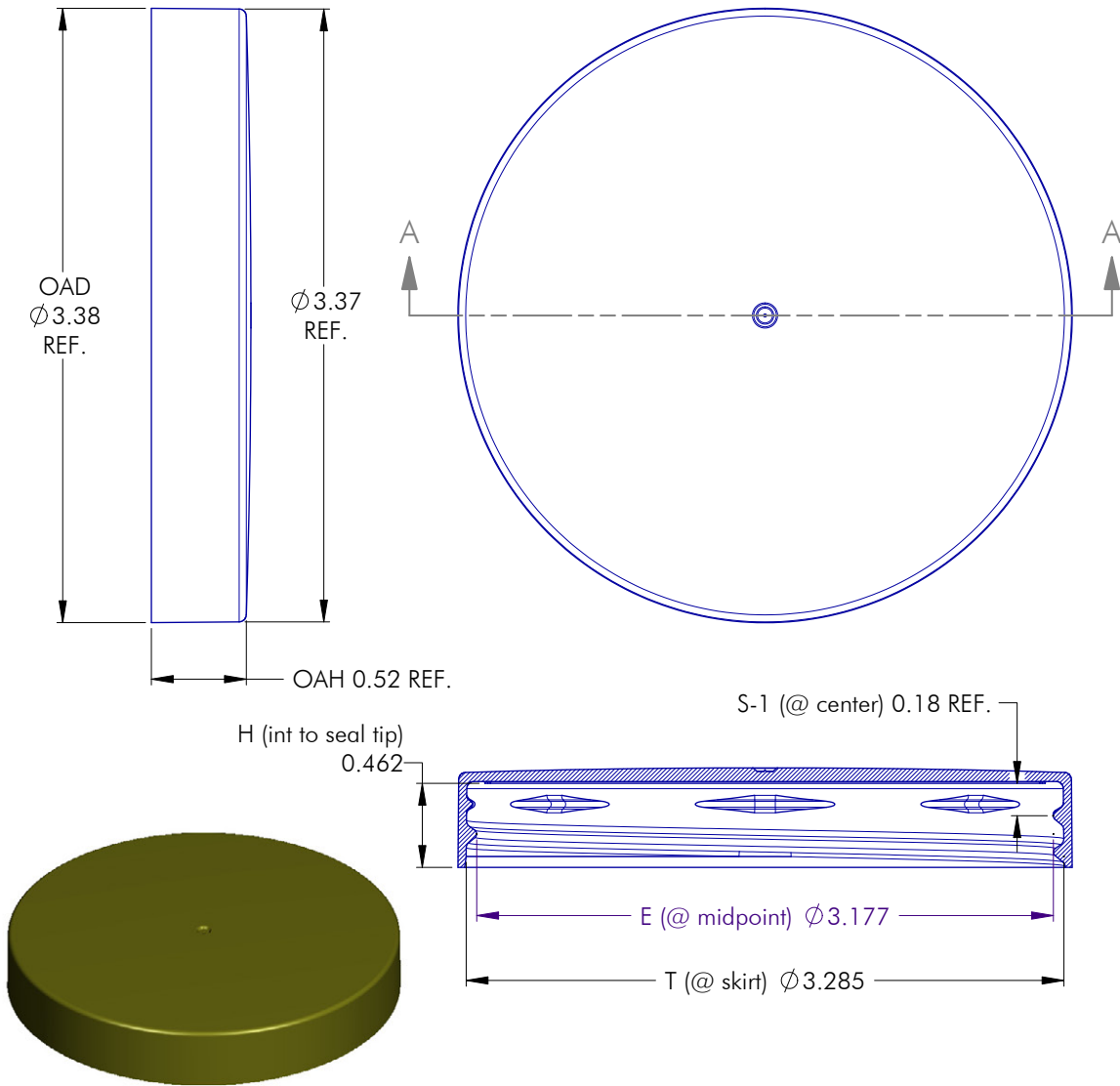
PHOENIX™

PHXPKG.COM

P 630 420 4750 E greatpkg@phxpkg.com
1899 High Grove Lane Naperville, IL 60540

SMOOTH TOPS & SIDES

83-400-85 S



NOTES: (UNLESS OTHERWISE SPECIFIED)		0	04.05.06	Released	BZ
1. ALL DIMENSIONS ARE IN INCHES.		REV	DATE	DESCRIPTION	BY
2. SEE CHART FOR DIMENSIONAL TOLERANCE.		TOLERANCE	PITCH/TPI	.200 / 5	TURNS 1
THIS OR FACSIMILE THEREOF IS THE EXCLUSIVE PROPERTY OF PHOENIX AND MAY NOT BE REPRODUCED WITHOUT THE EXPRESSED WRITTEN CONSENT OF PHOENIX. SOME OR ALL OF THE ITEMS DEPICTED ON THIS DRAWING MAY BE COVERED BY CURRENT PATENTS OR PATENTS APPLIED FOR BY PHOENIX.		.X	± 0.1	DRAWN	BEZ
		.XX	± 0.02	DATE	04.05.06
		.XXX	± 0.010	SCALE	1-1/4 : 1
		83 - 400 - 85 S			REV
					0



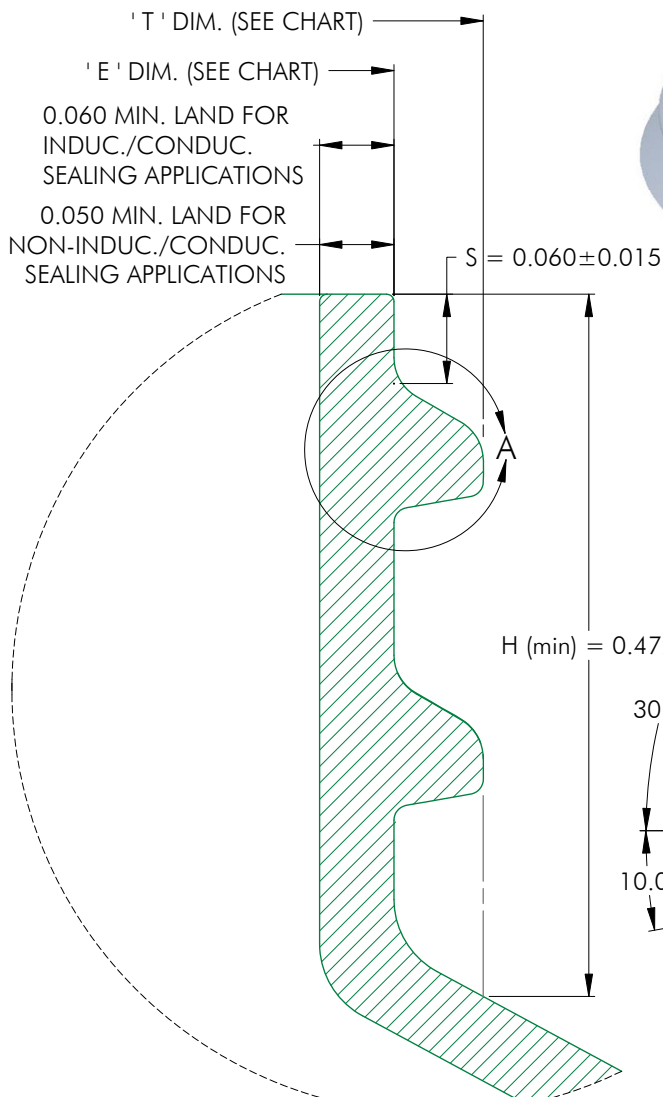
PHOENIX™

PHXPKG.COM

P 630 420 4750 E greatpkg@phxpkg.com
1899 High Grove Lane Naperville, IL 60540

SMOOTH TOPS & SIDES

83-400-85 S



DETAIL A
SCALE: 15 : 1

MATERIAL	T (mean)	E (mean)	TOLERANCE
PP / PE	3.2505	3.1305	± 0.0175
PET	3.2505	3.1305	± 0.012
GLASS	N/A	N/A	± N/A

NOTES: (UNLESS OTHERWISE SPECIFIED) 1. ALL DIMENSIONS ARE IN INCHES. 2. SEE CHART FOR DIMENSIONAL TOLERANCE.		1	05.25.02	Updated Minimum "H" Dimension	DN
REV	DATE	DESCRIPTION			BY
TOLERANCE		PITCH/TPI	.200 / 5	TURNS	1-1/4
MATERIAL		SEE CHART			
.X	±0.1	DRAWN	DMN	DATE	05.20.00
.XX	±0.02	SCALE		10 : 1	
.XXX	±0.010	83 - 400 - FINISH			1



PHXPKG.COM

P 630 420 4750 E greatpkg@phxpkg.com
1899 High Grove Lane Naperville, IL 60540