

## 63-S01 BUTTRESS STYLE CLOSURES

# 63-S01-9102 U



## Specifications:

**DIAMETER** 63 mm  
**THREAD PROFILE** S01  
**NECK FINISH** 63-S01  
**CLOSURE TOP** Smooth  
**MATERIAL** PP

## PACKAGING & FREIGHT INFORMATION

PACK TYPE	PCS/CTN	CTNS/PALT	PCS/PALT	CTN WT*	PALT WT*	FRT CLASS
Bulk	750	15	11,250	29 <sup>(1)</sup>	432 <sup>(1)</sup>	100 <sup>(1)</sup>
Bulk	750	15	11,250	30 <sup>(2)</sup>	455 <sup>(2)</sup>	100 <sup>(2)</sup>
<b>CARTON DIMENSIONS: 24 x 16 x 15</b>			<b>PALLET DIMENSIONS: 48 x 40 x 50</b>			

(1) Unlined Closures (2) Lined Closures \*Approximate

## MARKETS

Food, Food Oil/Service, Household Chemicals, Automotive, Agricultural, and Industrial Products.

## OPTIONS

Available in white, standard colors and custom colors. Can be lined with a wide variety of liner systems including SureSeal (foam), pressure sensitive and heat induction (foil) liners. Offset printing is available in up to three colors.

## CLOSURE BENEFITS

- A proven closure for the Food Oil and Agricultural Chemical markets.



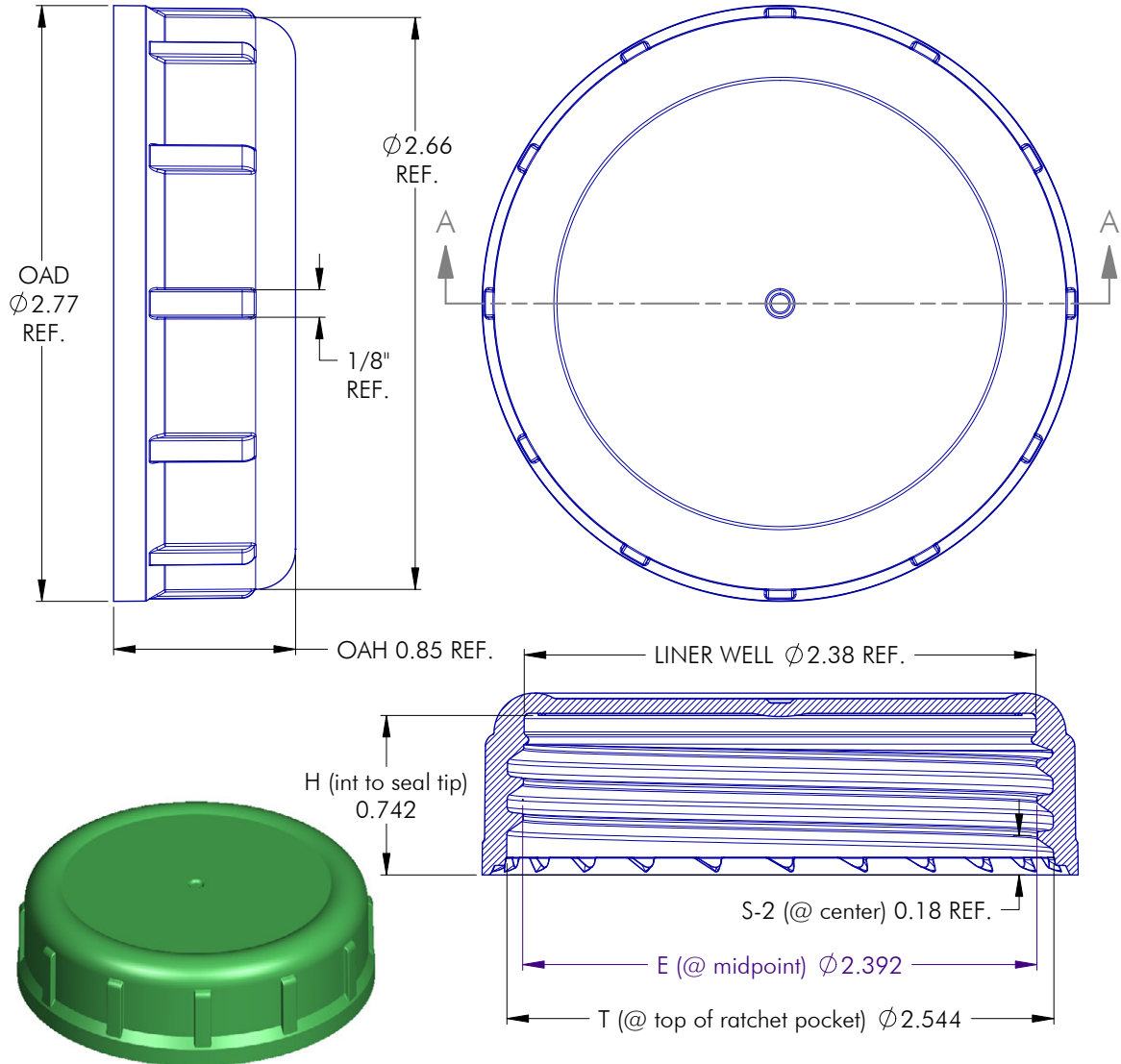
**PHOENIX™**

PHXPKG.COM

P 630 420 4750 E greatpkg@phxpkg.com  
1899 High Grove Lane Naperville, IL 60540

63-S01 BUTTRESS STYLE CLOSURES

# 63-S01-9102 U



NOTES: (UNLESS OTHERWISE SPECIFIED)				1	02.17.03	Update "E" Dimension		DN		
1. ALL DIMENSIONS ARE IN INCHES.				REV	DATE	DESCRIPTION		BY		
2. SEE CHART FOR DIMENSIONAL TOLERANCE.				TOLERANCE	PITCH/TPI	.167 / 6	TURNS	~2		
THIS OR FACSIMILE THEREOF IS THE EXCLUSIVE PROPERTY OF PHOENIX AND MAY NOT BE REPRODUCED WITHOUT THE EXPRESSED WRITTEN CONSENT OF PHOENIX. SOME OR ALL OF THE ITEMS DEPICTED ON THIS DRAWING MAY BE COVERED BY CURRENT PATENTS OR PATENTS APPLIED FOR BY PHOENIX.				.X	$\pm 0.1$	DRAWN	DMN	DATE		
				.XX	$\pm 0.02$	DATE	07.24.02	SCALE	3 : 2	REV
				.XXX	$\pm 0.010$	<b>63 - S01 - 9102 U</b>			1	



**PHOENIX**<sup>TM</sup>

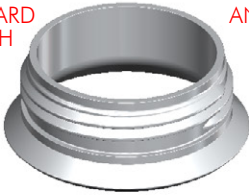
PHXPKG.COM

P 630 420 4750 E greatpkg@phxpkg.com  
1899 High Grove Lane Naperville, IL 60540

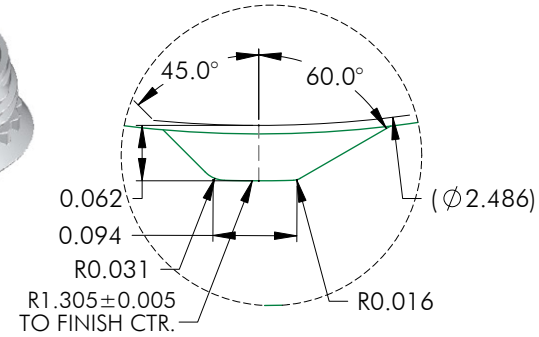
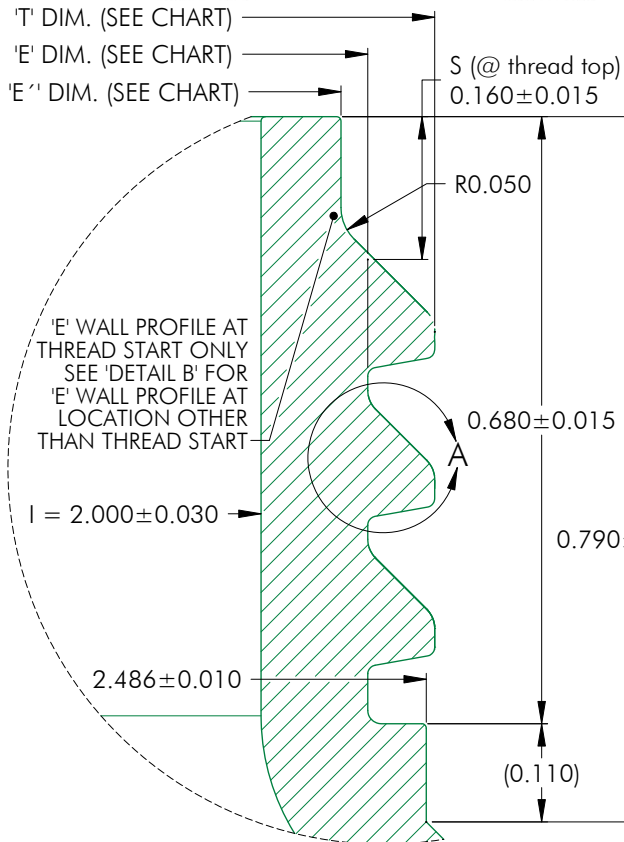
63-S01 BUTTRESS STYLE CLOSURES

# 63-S01-9102 U

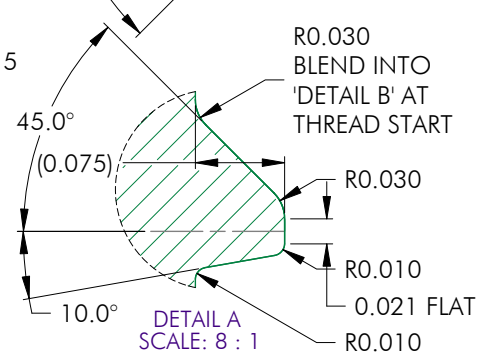
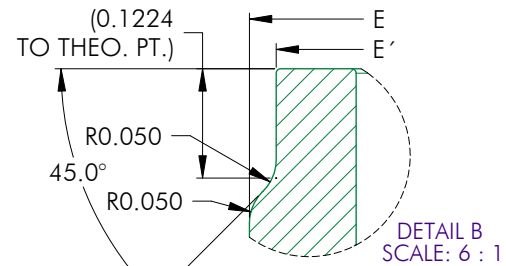
STANDARD FINISH



ANTI-BACKOFF FINISH



RATCHET DETAIL (SEE NOTE 4)  
GROUPS OF 5 RATCHETS, 15° BETWEEN RATCHETS  
SCALE: 6 : 1



- NOTES: (UNLESS OTHERWISE SPECIFIED)
1. ALL DIMENSIONS ARE IN INCHES.
  2. SEE CHART FOR TOLERANCE ON ALL DIMENSIONS.
  3. THIS FINISH IS DESIGNED FOR USE WITH ALL PHOENIX 63-S01-XXX CLOSURES EXCEPT FOR 63-S01-2002.
  4. RATCHETS USED w/ ANTI-BACKOFF STYLE ONLY. THIS FEATURE NOT INCLUDED w/ STD FINISH. MAY ALTER GROUP POSITION FOR EASE OF MOLDING BUT RATCHETS MUST REMAIN IN GROUPS OF 5 AS DEPICTED ON PRINT.

MATERIAL	T (mean)	E (mean)	TOLERANCE
PP / PE	2.505	2.355	± 0.017
PET	2.505	2.355	± 0.010
GLASS	0.0000	0.0000	± 0.0000

NOTES: (UNLESS OTHERWISE SPECIFIED)		1	06.05.08	Smoothed Sharp Flat Step in @ E Wall	DN					
1. ALL DIMENSIONS ARE IN INCHES. 2. SEE CHART FOR DIMENSIONAL TOLERANCE.		REV	DATE	DESCRIPTION	BY					
THIS OR FACSIMILE THEREOF IS THE EXCLUSIVE PROPERTY OF PHOENIX AND MAY NOT BE REPRODUCED WITHOUT THE EXPRESSED WRITTEN CONSENT OF PHOENIX. SOME OR ALL OF THE ITEMS DEPICTED ON THIS DRAWING MAY BE COVERED BY CURRENT PATENTS OR PATENTS APPLIED FOR BY PHOENIX.		TOLERANCE	PITCH/TP/1	.167 / 6	TURNS	2	MAT'L	PER CHART		
		.X	±0.1	DRAWN	DMN	DATE	02.05.03	SCALE	6 : 1	REV
		.XX	±0.02	63 - S01 - FINISH				1		
		.XXX	±0.010							



PHOENIX™

PHXPKG.COM

P 630 420 4750 E greatpkg@phxpkg.com  
1899 High Grove Lane Naperville, IL 60540