

SPICE CAPS & FITMENTS

63-L10-125 F



Specifications:

DIAMETER 63 mm

MATERIAL HDPE

PACKAGING & FREIGHT INFORMATION

PACK TYPE	PCS/CTN	CTNS/PALT	PCS/PALT	CTN WT*	PALT WT*	FRT CLASS
Bulk	2,000	30	60,000	15 ⁽¹⁾	451 ⁽¹⁾	100 ⁽¹⁾
CARTON DIMENSIONS: 24 x 16 x 7.5			PALLET DIMENSIONS: 48 x 40 x 50			

(1) Unlined Closures (2) Lined Closures *Approximate

MARKETS

Food and Food Service.

CLOSURE BENEFITS

- Has a “lift-to-pour” tab
- Fitment with ten 1/8” holes
- Cartons stacked 30 cartons to a pallet



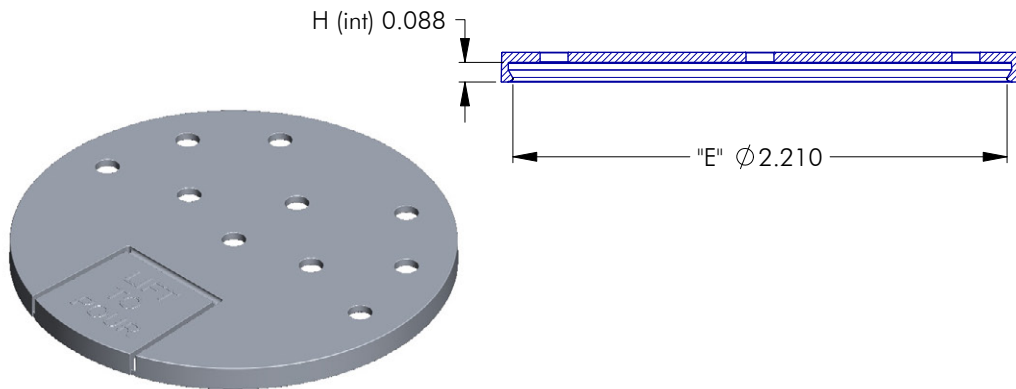
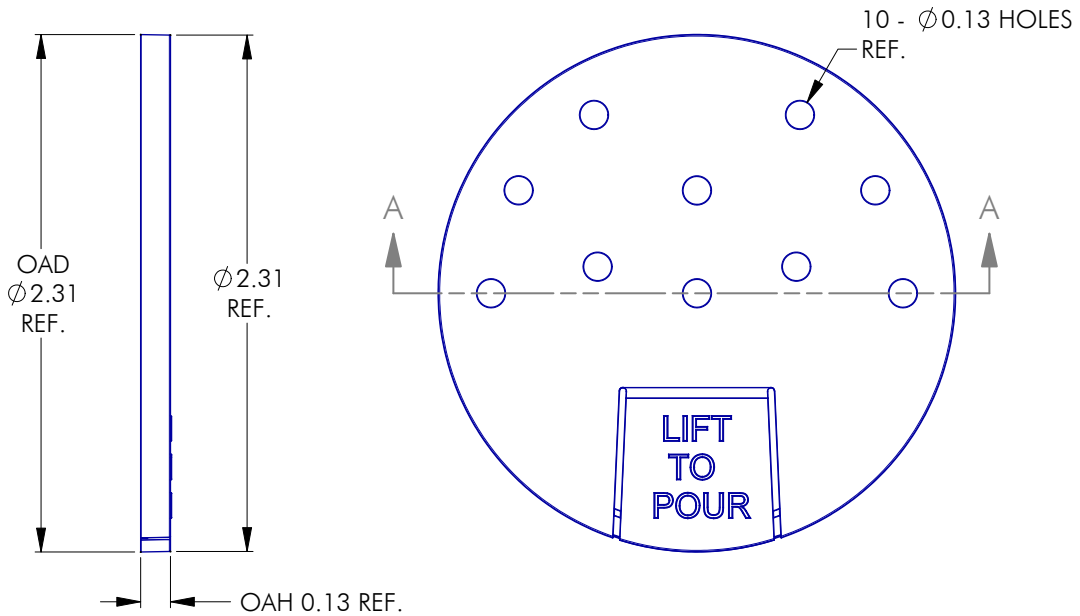
PHOENIX™

PHXPKG.COM

P 630 420 4750 **E** greatpkg@phxpkg.com
1899 High Grove Lane Naperville, IL 60540

SPICE CAPS & FITMENTS

63-L10-125 F



NOTES: (UNLESS OTHERWISE SPECIFIED)		0	04.25.05	Released			DN			
1. ALL DIMENSIONS ARE IN INCHES.		REV	DATE	DESCRIPTION			BY			
2. SEE CHART FOR DIMENSIONAL TOLERANCE.		TOLERANCE		PITCH/TPI	N/A	TURNS	SNAP	MAT'L	PE	
THIS OR FACSIMILE THEREOF IS THE EXCLUSIVE PROPERTY OF PHOENIX AND MAY NOT BE REPRODUCED WITHOUT THE EXPRESSED WRITTEN CONSENT OF PHOENIX. SOME OR ALL OF THE ITEMS DEPICTED ON THIS DRAWING MAY BE COVERED BY CURRENT PATENTS OR PATENTS APPLIED FOR BY PHOENIX.		.X	±0.1	DRAWN	DMN	DATE	04.25.05	SCALE	3 : 2	REV
		.XX	±0.02	63 - L10 - 125 F						
		.XXX	±0.010							



PHOENIX™

PHXPKG.COM

P 630 420 4750 E greatpkg@phxpkg.com
1899 High Grove Lane Naperville, IL 60540