

SPICE CAPS & FITMENTS

63-485-60 S



Specifications:

DIAMETER 63 mm
THREAD PROFILE 485
NECK FINISH 63-485
CLOSURE TOP Stipple
CLOSURE SIDEWALL Smooth
MATERIAL PP

PACKAGING & FREIGHT INFORMATION

PACK TYPE	PCS/CTN	CTNS/PALT	PCS/PALT	CTN WT*	PALT WT*	FRT CLASS
Bulk	925	15	13,875	23 ⁽¹⁾	338 ⁽¹⁾	125 ⁽¹⁾
Bulk	925	15	13,875	26 ⁽²⁾	386 ⁽²⁾	125 ⁽²⁾
CARTON DIMENSIONS: 24 x 16 x 15			PALLET DIMENSIONS: 48 x 40 x 50			

(1) Unlined Closures (2) Lined Closures *Approximate

MARKETS

Food and Food Service.

OPTIONS

Available in white, standard colors and custom colors.

CLOSURE BENEFITS

- Outside stacking ring
- Deep skirted with smooth top & sides



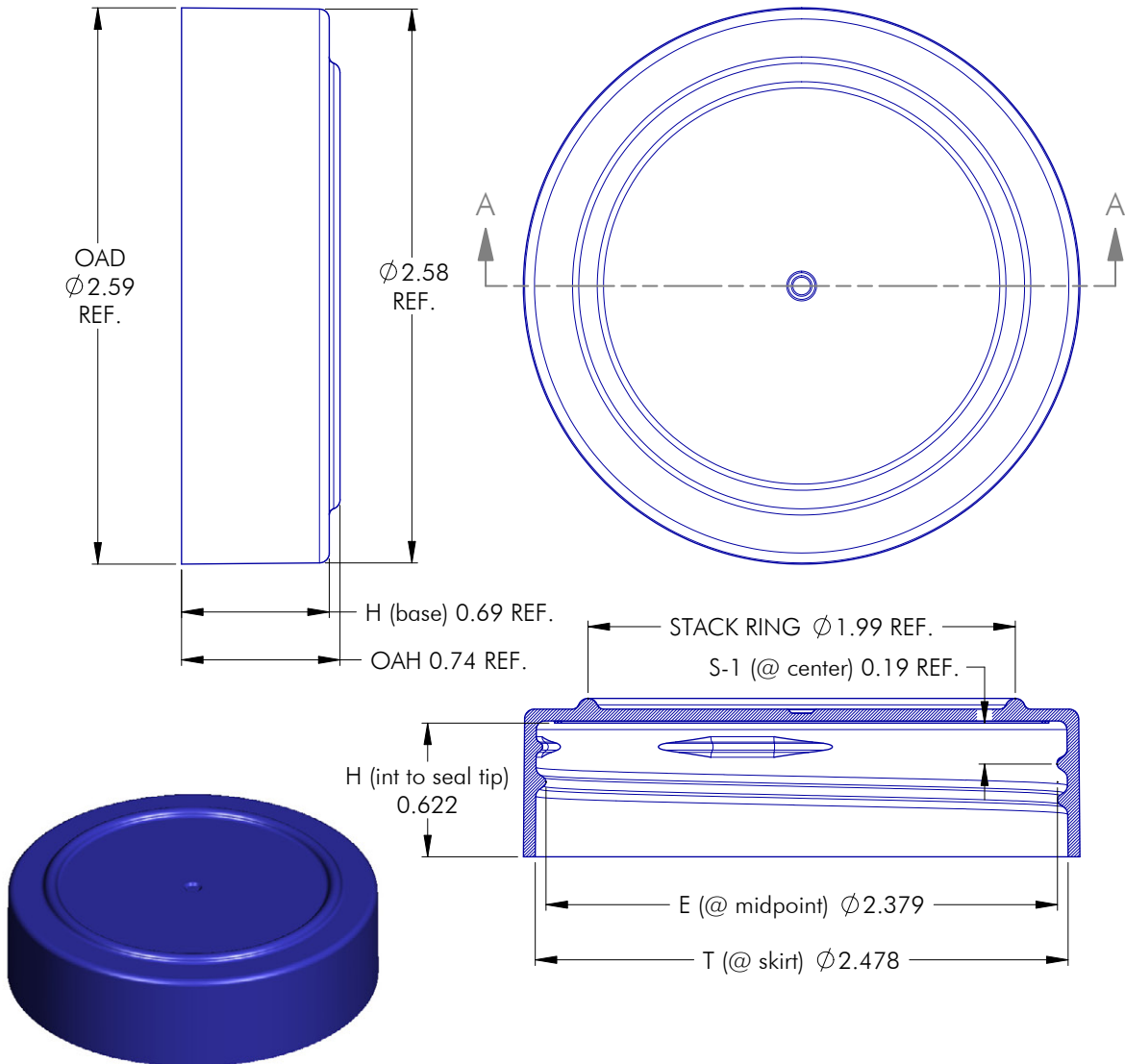
PHOENIX™

PHXPKG.COM

P 630 420 4750 **E** greatpkg@phxpkg.com
1899 High Grove Lane Naperville, IL 60540

SPICE CAPS & FITMENTS

63-485-60 S



NOTES: (UNLESS OTHERWISE SPECIFIED)				1	01.24.06	Update "E" Dimension	BZ		
1. ALL DIMENSIONS ARE IN INCHES.				REV	DATE	DESCRIPTION	BY		
2. SEE CHART FOR DIMENSIONAL TOLERANCE.				TOLERANCE	PITCH/TPI	.167 / 6	TURNS 1-3/16		
THIS OR FACSIMILE THEREOF IS THE EXCLUSIVE PROPERTY OF PHOENIX AND MAY NOT BE REPRODUCED WITHOUT THE EXPRESSED WRITTEN CONSENT OF PHOENIX. SOME OR ALL OF THE ITEMS DEPICTED ON THIS DRAWING MAY BE COVERED BY CURRENT PATENTS OR PATENTS APPLIED FOR BY PHOENIX.				.X	± 0.1	DRAWN	BEZ		
				.XX	± 0.02	DATE	08.08.05	SCALE	3 : 2
				.XXX	± 0.010				
						63 - 485 - 60 S	1		



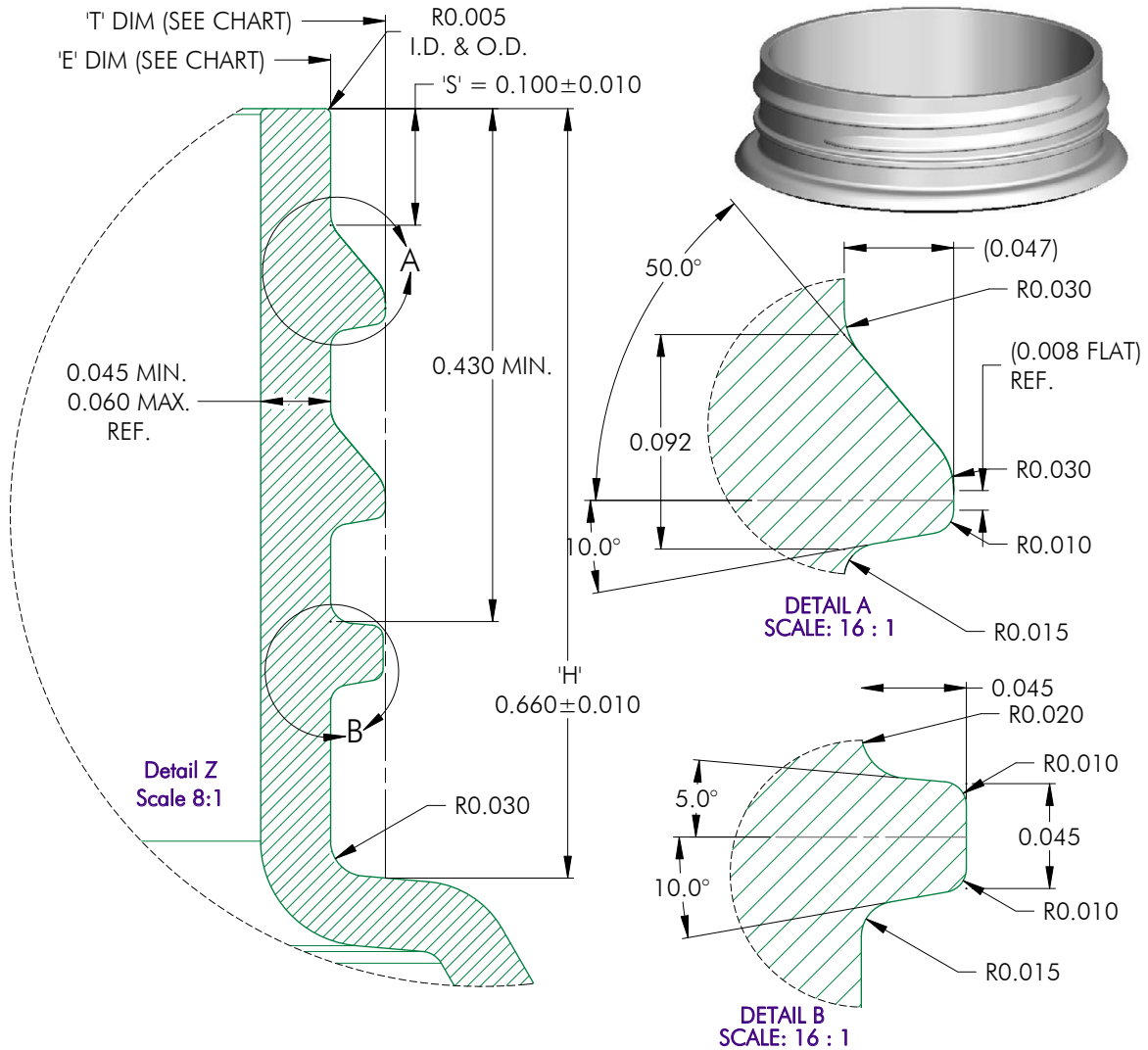
PHOENIX™

PHXPKG.COM

P 630 420 4750 E greatpkg@phxpkg.com
1899 High Grove Lane Naperville, IL 60540

SPICE CAPS & FITMENTS

63-485-60 S



MATERIAL	T (mean)	E (mean)	TOLERANCE
PP / PE	2.442	2.348	± 0.016
PET	2.448	2.354	± 0.010
GLASS	0.0000	0.0000	± 0.0000

NOTES: (UNLESS OTHERWISE SPECIFIED) 1. ALL DIMENSIONS ARE IN INCHES. 2. SEE CHART FOR DIMENSIONAL TOLERANCE. THIS OR FACSIMILE THEREOF IS THE EXCLUSIVE PROPERTY OF PHOENIX AND MAY NOT BE REPRODUCED WITHOUT THE EXPRESSED WRITTEN CONSENT OF PHOENIX. SOME OR ALL OF THE ITEMS DEPICTED ON THIS DRAWING MAY BE COVERED BY CURRENT PATENTS OR PATENTS APPLIED FOR BY PHOENIX.	0	07.29.10	Released	DN	
	REV	DATE	DESCRIPTION	BY	
	TOLERANCE	PITCH/TPI .167 / 6 TURNS 1-3/16 MAT'L PER CHART			
	.X ±0.1	DRAWN DMN	DATE 07.29.10	SCALE 8 : 1	REV
	.XX ±0.02	63 - 485 - FINISH			0



PHXPKG.COM

P 630 420 4750 E greatpkg@phxpkg.com
 1899 High Grove Lane Naperville, IL 60540