

MEDIUM & DEEP SKIRTED CLOSURES

58-445-4901 S



Specifications:

DIAMETER 58 mm
THREAD PROFILE 445
NECK FINISH 58-445
CLOSURE TOP Stipple
CLOSURE SIDEWALL: Fine Ribbed
MATERIAL PP

PACKAGING & FREIGHT INFORMATION

PACK TYPE	PCS/CTN	CTNS/PALT	PCS/PALT	CTN WT*	PALT WT*	FRT CLASS
Bulk	1,000	15	15,000	21 ⁽¹⁾	308 ⁽¹⁾	125 ⁽¹⁾
Bulk	1,000	15	15,000	22 ⁽²⁾	329 ⁽²⁾	125 ⁽²⁾
CARTON DIMENSIONS: 24 x 16 x 15			PALLET DIMENSIONS: 48 x 40 x 50			

(1) Unlined Closures (2) Lined Closures *Approximate

MARKETS

Food, Personal Care & Cosmetics.

CLOSURE BENEFITS

- Broad-ribbed sides are easier to grip

OPTIONS

Available in white, standard colors and custom colors. Can be lined with a wide variety of liner systems including SureSeal (foam), pressure sensitive and heat induction (foil) liners. Liners can be cut with a pull-tab easy-open feature. Can be embossed/debossed with custom message. Offset printing is available in up to three colors.



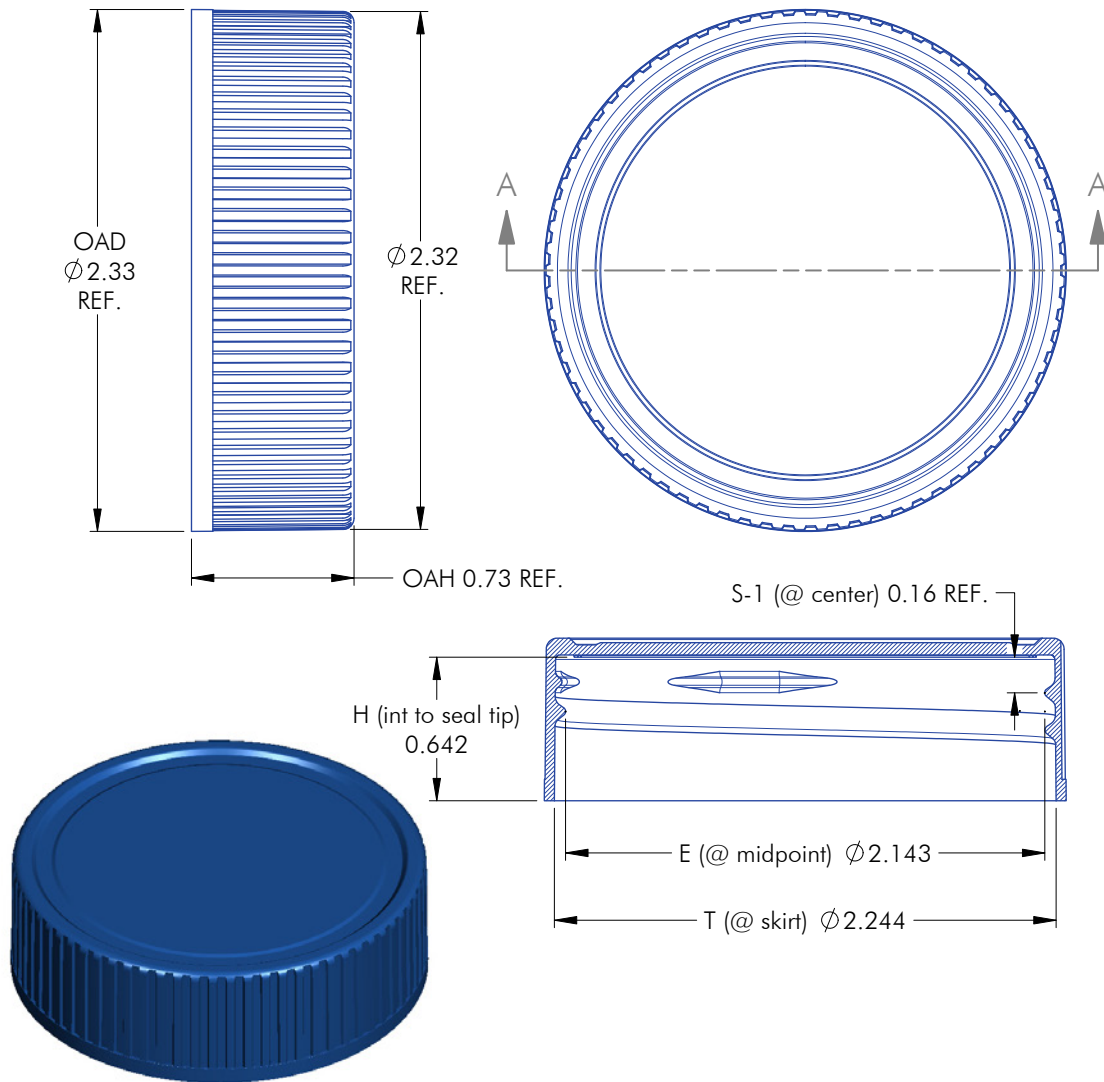
PHOENIX™

PHXPKG.COM

P 630 420 4750 E greatpkg@phxpkg.com
1899 High Grove Lane Naperville, IL 60540

MEDIUM & DEEP SKIRTED CLOSURES

58-445-4901 S



NOTES: (UNLESS OTHERWISE SPECIFIED) 1. ALL DIMENSIONS ARE IN INCHES. 2. SEE CHART FOR DIMENSIONAL TOLERANCE.				1	04.28.05	Modify Exterior Diameter Dimensions	BZ
REV		DATE		DESCRIPTION			BY
TOLERANCE		PITCH/TPI .167 / 6		TURNS 1-1/8		MAT'L PP	
.X	±0.1	DRAWN BEZ		DATE 03.29.05		SCALE 3 : 2	
.XX	±0.02					REV	
.XXX	±0.010					1	



PHXPKG.COM

P 630 420 4750 E greatpkg@phxpkg.com
 1899 High Grove Lane Naperville, IL 60540