

SMOOTH TOPS & SIDES

# 53-400-85 S



## Specifications:

**DIAMETER** 53 mm  
**THREAD PROFILE** 400  
**NECK FINISH** 53-400  
**CLOSURE TOP** Smooth  
**CLOSURE SIDEWALL** Smooth  
**MATERIAL** PP

## PACKAGING & FREIGHT INFORMATION

PACK TYPE	PCS/CTN	CTNS/PALT	PCS/PALT	CTN WT*	PALT WT*	FRT CLASS
Bulk	2,000	15	30,000	20 <sup>(1)</sup>	303 <sup>(1)</sup>	125 <sup>(1)</sup>
Bulk	2,000	15	30,000	23 <sup>(2)</sup>	349 <sup>(2)</sup>	125 <sup>(2)</sup>
<b>CARTON DIMENSIONS: 24 x 16 x 15</b>			<b>PALLET DIMENSIONS: 48 x 40 x 50</b>			

(1) Unlined Closures (2) Lined Closures \*Approximate

## MARKETS

Nutraceuticals, Personal Care & Cosmetics, and Pharmaceuticals.

## OPTIONS

Available in white, standard, and custom colors. Can be lined with a variety of liner systems including SureSeal (foam), pressure sensitive and heat induction (foil) liners. Off-set printing is available on this closure in up to three colors.

## CLOSURE BENEFITS

- Smooth top and sides lend a “clean” look to the package
- Popular for vitamins and nutraceuticals
- Popular for cosmetics

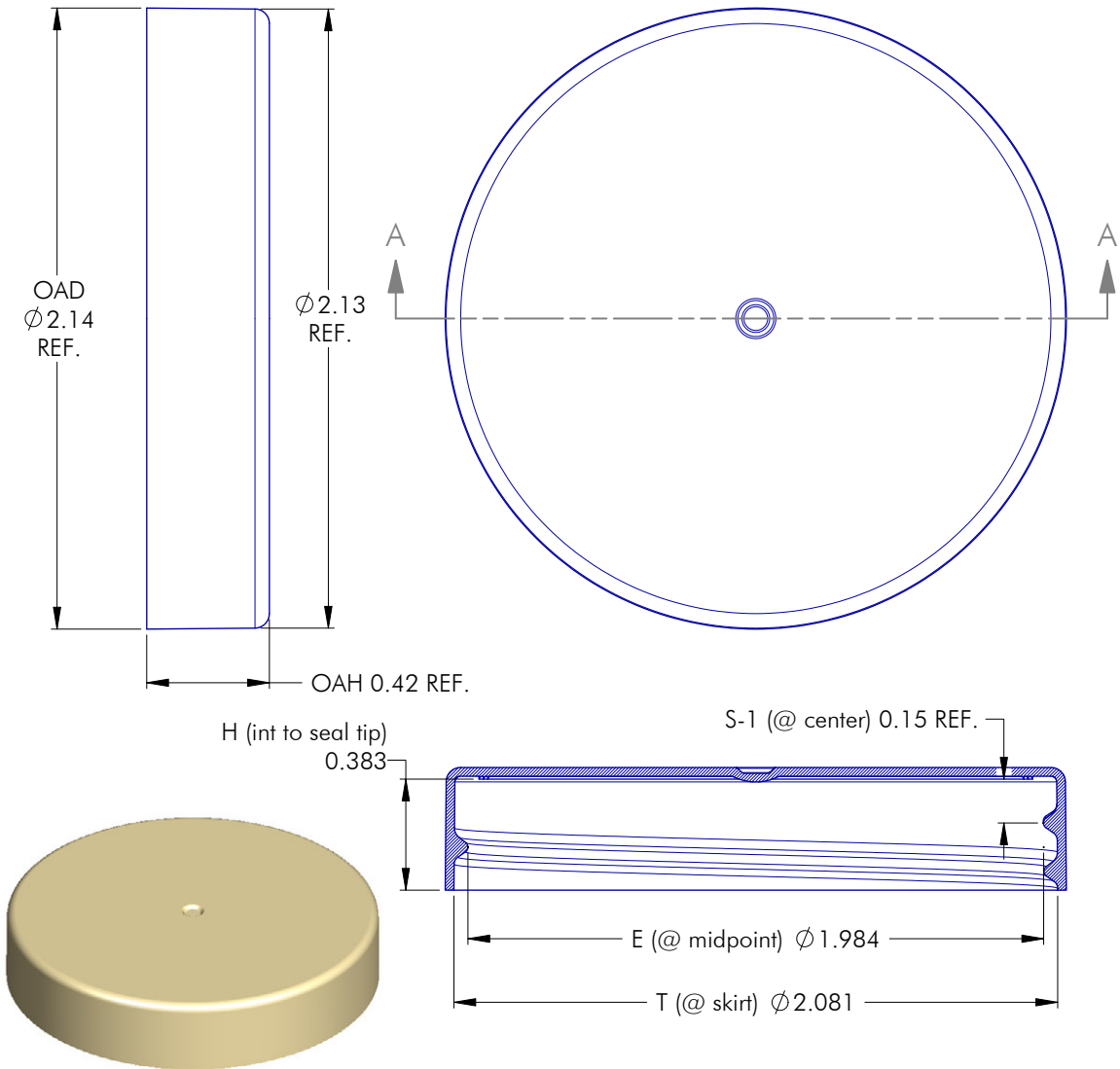


PHXPKG.COM

P 630 420 4750 E greatpkg@phxpkg.com  
1899 High Grove Lane Naperville, IL 60540

SMOOTH TOPS & SIDES

# 53-400-85 S



NOTES: (UNLESS OTHERWISE SPECIFIED)				1	11.28.07	Modify Wall Thicknesses	DN
1. ALL DIMENSIONS ARE IN INCHES.				REV	DATE	DESCRIPTION	BY
2. SEE CHART FOR DIMENSIONAL TOLERANCE.				TOLERANCE	PITCH/TPI .167 / 6	TURNS 1-1/8	MAT'L PP
THIS OR FACSIMILE THEREOF IS THE EXCLUSIVE PROPERTY OF PHOENIX AND MAY NOT BE REPRODUCED WITHOUT THE EXPRESSED WRITTEN CONSENT OF PHOENIX. SOME OR ALL OF THE ITEMS DEPICTED ON THIS DRAWING MAY BE COVERED BY CURRENT PATENTS OR PATENTS APPLIED FOR BY PHOENIX.				.X	$\pm 0.1$	DRAWN DMN	DATE 10.18.07
				.XX	$\pm 0.02$	SCALE 2 : 1	REV
				.XXX	$\pm 0.010$	53 - 400 - 85 S	



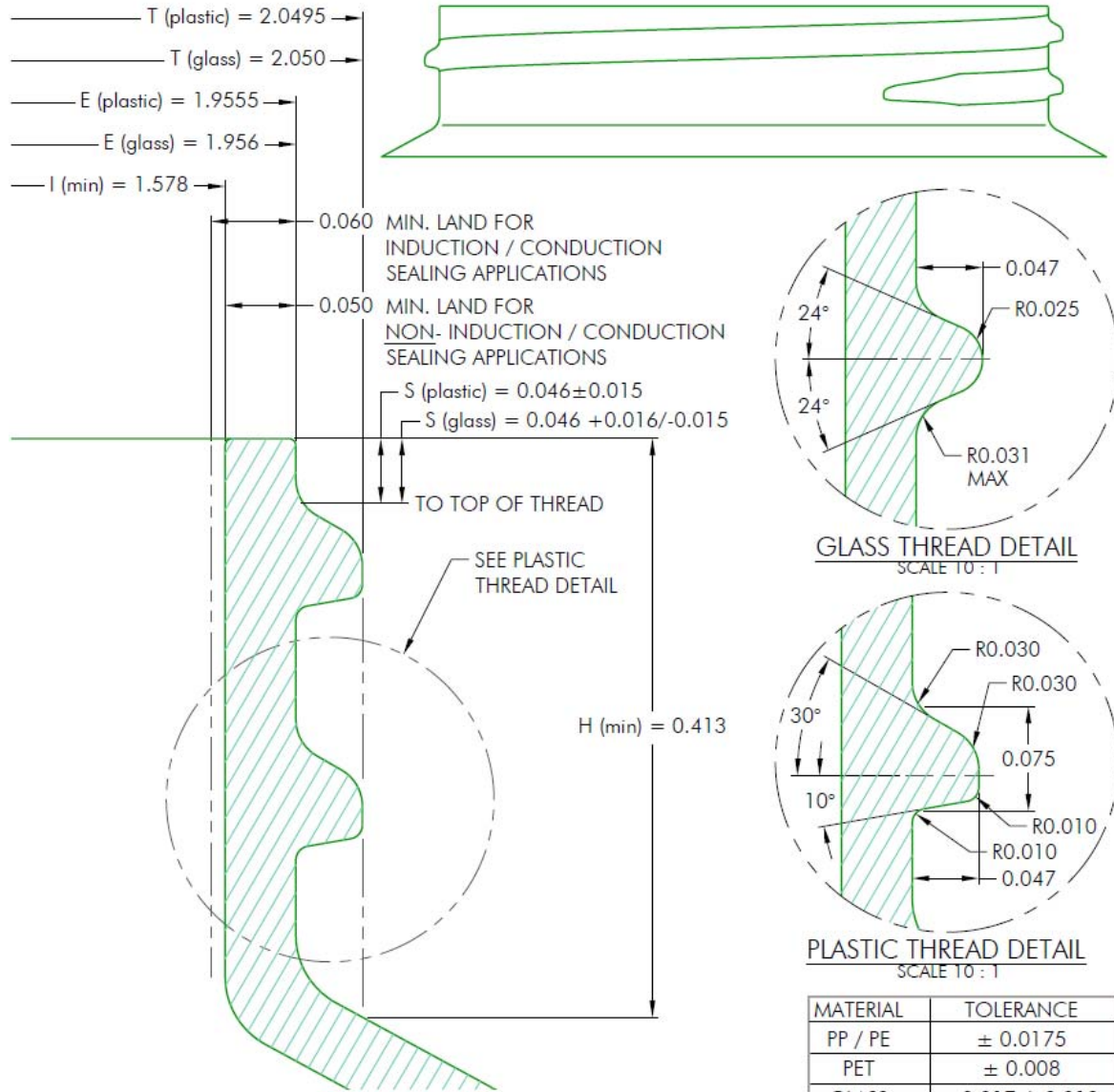
**PHOENIX™**

PHXPKG.COM

P 630 420 4750 E greatpkg@phxpkg.com  
1899 High Grove Lane Naperville, IL 60540

SMOOTH TOPS & SIDES

# 53-400-85 S



NOTES: (UNLESS OTHERWISE SPECIFIED)		0	10.01.02	Released	BZ				
1. ALL DIMENSIONS ARE IN INCHES.		REV	DATE	DESCRIPTION	BY				
2. SEE CHART FOR DIMENSIONAL TOLERANCE.									
THIS OR FACSIMILE THEREOF IS THE EXCLUSIVE PROPERTY OF PHOENIX AND MAY NOT BE REPRODUCED WITHOUT THE EXPRESSED WRITTEN CONSENT OF PHOENIX. SOME OR ALL OF THE ITEMS DEPICTED ON THIS DRAWING MAY BE COVERED BY CURRENT PATENTS OR PATENTS APPLIED FOR BY PHOENIX.		TOLERANCE	PITCH/TPI	.167 / 6	TURNS	1-1/8	MAT'L	Per Chart	
		.X	$\pm 0.1$	DRAWN	BEZ	DATE	10.01.02	SCALE	10 : 1
		.XX	$\pm 0.02$			REV			
		.XXX	$\pm 0.010$						
		<b>53 - 400 - FINISH</b>				0			



PHXPKG.COM

P 630 420 4750 E greatpkg@phxpkg.com  
 1899 High Grove Lane Naperville, IL 60540