

SMOOTH TOPS & SIDES

45-400-85 S



Specifications:

DIAMETER 45 mm
THREAD PROFILE 400
NECK FINISH 45-400
CLOSURE TOP Smooth
CLOSURE SIDEWALL Smooth
MATERIAL PP

PACKAGING & FREIGHT INFORMATION

PACK TYPE	PCS/CTN	CTNS/PALT	PCS/PALT	CTN WT*	PALT WT*	FRT CLASS
Bulk	2,750	15	41,250	21 ⁽¹⁾	303 ⁽¹⁾	125 ⁽¹⁾
Bulk	2,750	15	41,250	25 ⁽²⁾	378 ⁽²⁾	125 ⁽²⁾
CARTON DIMENSIONS: 24 x 16 x 15			PALLET DIMENSIONS: 48 x 40 x 50			

(1) Unlined Closures (2) Lined Closures *Approximate

MARKETS

Nutraceuticals, Personal Care & Cosmetics, and Pharmaceuticals.

OPTIONS

Available in white, standard colors and custom colors. Can be lined with a wide variety of liner systems including SureSeal (foam), pressure sensitive and heat induction (foil) liners.

CLOSURE BENEFITS

- Smooth top and sides lend a “clean” look to the package
- Popular for vitamins and nutraceuticals
- Popular for cosmetics



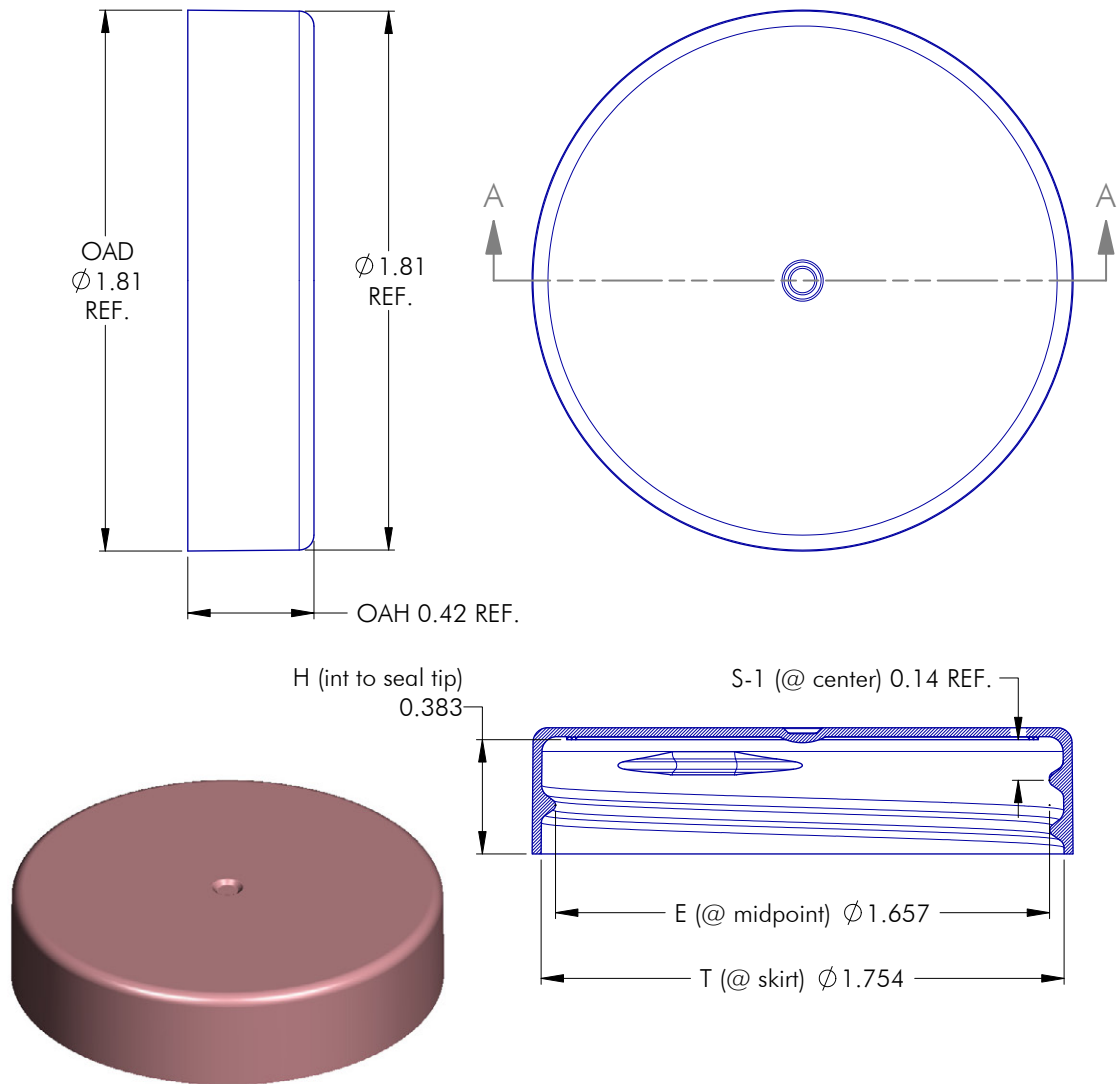
PHOENIX™

PHXPKG.COM

P 630 420 4750 E greatpkg@phxpkg.com
1899 High Grove Lane Naperville, IL 60540

SMOOTH TOPS & SIDES

45-400-85 S



NOTES: (UNLESS OTHERWISE SPECIFIED)		2 09.02.14 Re-define Reference Dimensions			DN
1. ALL DIMENSIONS ARE IN INCHES.		REV	DATE	DESCRIPTION	BY
2. SEE CHART FOR DIMENSIONAL TOLERANCE.				PITCH/TPI .167 / 6	TURNS 1-1/8
THIS OR FACSIMILE THEREOF IS THE EXCLUSIVE PROPERTY OF PHOENIX AND MAY NOT BE REPRODUCED WITHOUT THE EXPRESSED WRITTEN CONSENT OF PHOENIX. SOME OR ALL OF THE ITEMS DEPICTED ON THIS DRAWING MAY BE COVERED BY CURRENT PATENTS OR PATENTS APPLIED FOR BY PHOENIX.		TOLERANCE		MAT'L	PP
		.X	±0.1	DRAWN DMN	DATE 04.11.08
		.XX	±0.02	SCALE	2 : 1
		.XXX	±0.010	REV	
45 - 400 - 85 S					2

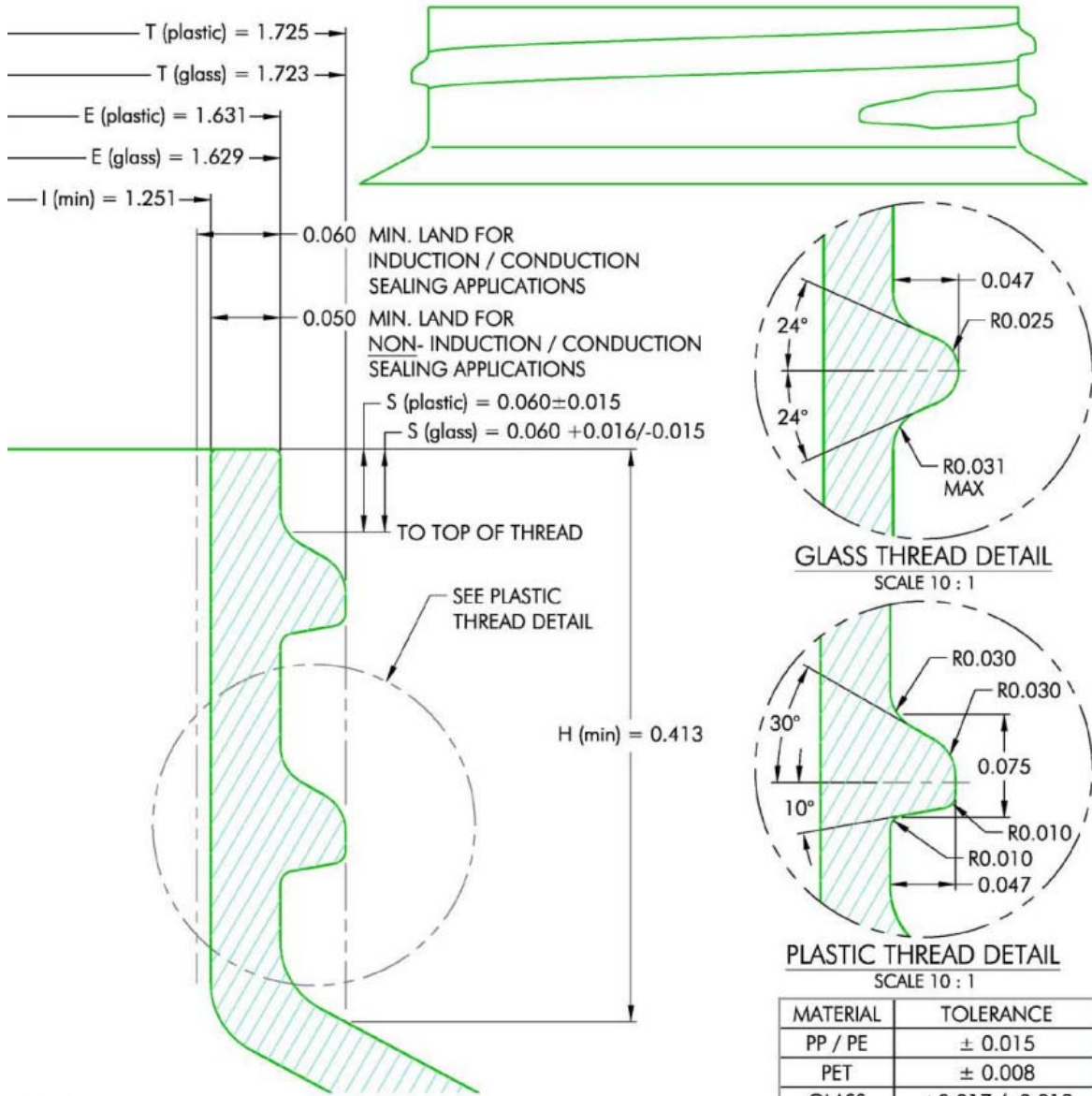


PHXPKG.COM

P 630 420 4750 E greatpkg@phxpkg.com
1899 High Grove Lane Naperville, IL 60540

SMOOTH TOPS & SIDES

45-400-85 S



NOTES: (UNLESS OTHERWISE SPECIFIED)		0	09.17.96	Released	BZ				
1. ALL DIMENSIONS ARE IN INCHES.		REV	DATE	DESCRIPTION	BY				
2. SEE CHART FOR DIMENSIONAL TOLERANCE.									
THIS OR FACSIMILE THEREOF IS THE EXCLUSIVE PROPERTY OF PHOENIX AND MAY NOT BE REPRODUCED WITHOUT THE EXPRESSED WRITTEN CONSENT OF PHOENIX. SOME OR ALL OF THE ITEMS DEPICTED ON THIS DRAWING MAY BE COVERED BY CURRENT PATENTS OR PATENTS APPLIED FOR BY PHOENIX.		TOLERANCE	PITCH/TPI	.167 / 6	TURNS	1-1/8	MAT'L	Per Chart	
		.X	± 0.1	DRAWN	BEZ	DATE	09.17.96	SCALE	10 : 1
		.XX	± 0.02			REV			
		.XXX	± 0.010						
		45 - 400 - FINISH				0			



PHXPKG.COM

P 630 420 4750 E greatpkg@phxpkg.com
 1899 High Grove Lane Naperville, IL 60540