

SPICE CAPS & FITMENTS

43-L04-188 F



Specifications:

DIAMETER 43 mm

MATERIAL HDPE

PACKAGING & FREIGHT INFORMATION

PACK TYPE	PCS/CTN	CTNS/PALT	PCS/PALT	CTN WT*	PALT WT*	FRT CLASS
Bulk	6,800	30	204,000	24 ⁽²⁾	710 ⁽²⁾	85 ⁽²⁾
CARTON DIMENSIONS: 24 x 16 x 7.5			PALLET DIMENSIONS: 48 x 40 x 50			

(2) Lined Closures *Approximate

MARKETS

Food and Food Service.

OPTIONS

Can be lined with heat induction liners.

CLOSURE BENEFITS

- Has a "lift-to-pour" tab
- Fitment with four 3/16" holes



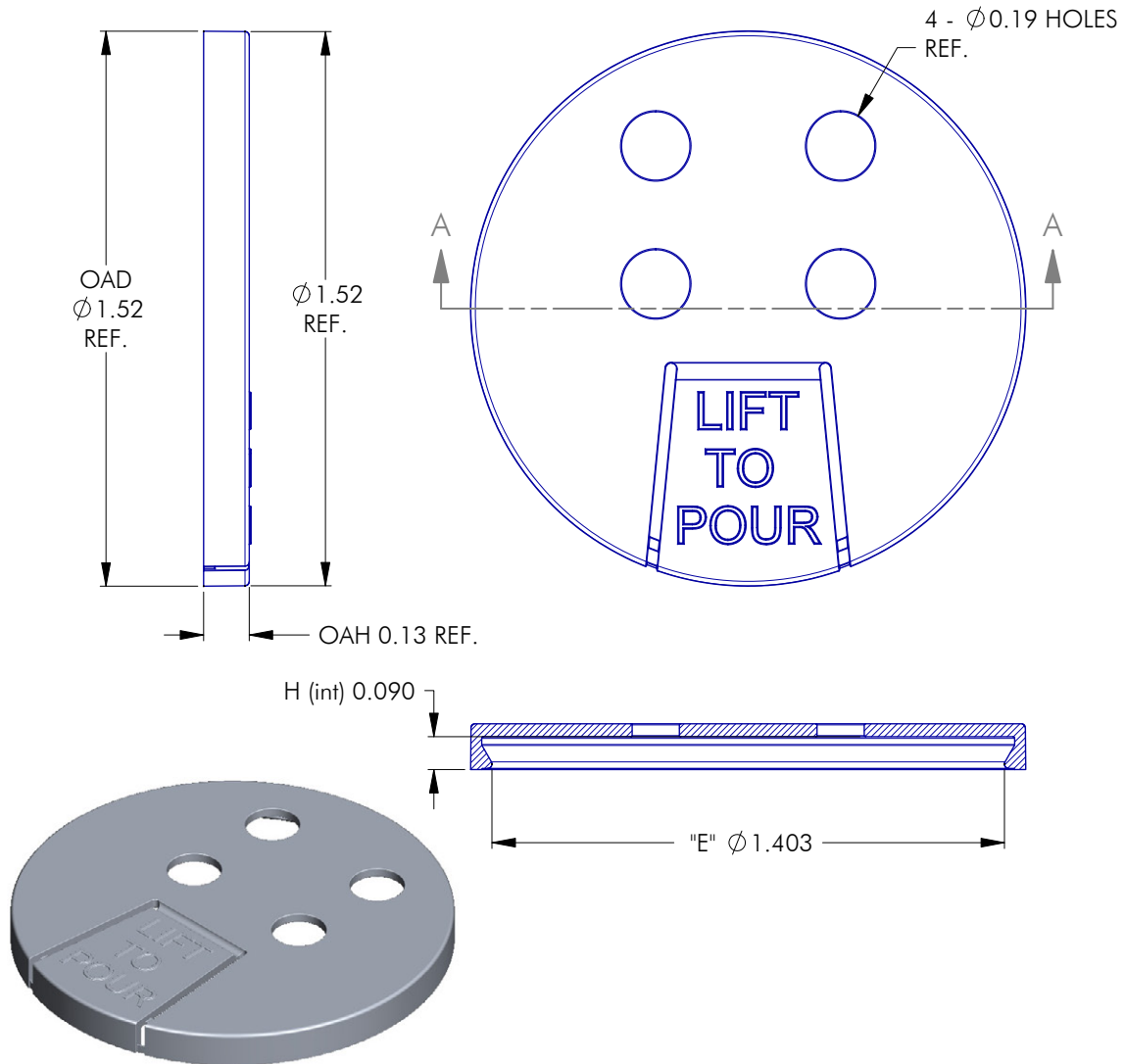
PHOENIX™

PHXPKG.COM

P 630 420 4750 **E** greatpkg@phxpkg.com
1899 High Grove Lane Naperville, IL 60540

SPICE CAPS & FITMENTS

43-L04-188 F



NOTES: (UNLESS OTHERWISE SPECIFIED)		0	04.07.05	Released			DN
1. ALL DIMENSIONS ARE IN INCHES.		REV	DATE	DESCRIPTION			BY
2. SEE CHART FOR DIMENSIONAL TOLERANCE.		TOLERANCE	PITCH/TPI	N/A	TURNS	SNAP	MAT'L
THIS OR FACSIMILE THEREOF IS THE EXCLUSIVE PROPERTY OF PHOENIX AND MAY NOT BE REPRODUCED WITHOUT THE EXPRESSED WRITTEN CONSENT OF PHOENIX. SOME OR ALL OF THE ITEMS DEPICTED ON THIS DRAWING MAY BE COVERED BY CURRENT PATENTS OR PATENTS APPLIED FOR BY PHOENIX.		.X	± 0.1	DRAWN	DMN	DATE	04.07.05
		.XX	± 0.02	SCALE	5 : 2	REV	
		.XXX	± 0.010	43 - L04 - 188 F			0



PHOENIX™

PHXPKG.COM

P 630 420 4750 E greatpkg@phxpkg.com
1899 High Grove Lane Naperville, IL 60540