

SPECIALTY CLOSURES

43-400-12 S



Specifications:

DIAMETER 43 mm
THREAD PROFILE 400
NECK FINISH 43-400
CLOSURE TOP Stipple
CLOSURE SIDEWALL Extreme ribs
MATERIAL PP

PACKAGING & FREIGHT INFORMATION

PACK TYPE	PCS/CTN	CTNS/PALT	PCS/PALT	CTN WT*	PALT WT*	FRT CLASS
Bulk	1,500	15	22,500	34 ⁽¹⁾	506 ⁽¹⁾	100 ⁽¹⁾
Bulk	1,500	15	22,500	37 ⁽²⁾	552 ⁽²⁾	92.5 ⁽²⁾
CARTON DIMENSIONS: 24 x 16 x 15			PALLET DIMENSIONS: 48 x 40 x 50			

(1) Unlined Closures (2) Lined Closures *Approximate

MARKETS

Pharmaceuticals, Nutraceuticals, Household Chemicals, Industrial Products, Automotive Products and Agricultural Products.

OPTIONS

Available in white, standard colors and custom colors.

CLOSURE BENEFITS

- Extreme ribs easy to grip
- Popular for OTC medications
- Senior-friendly



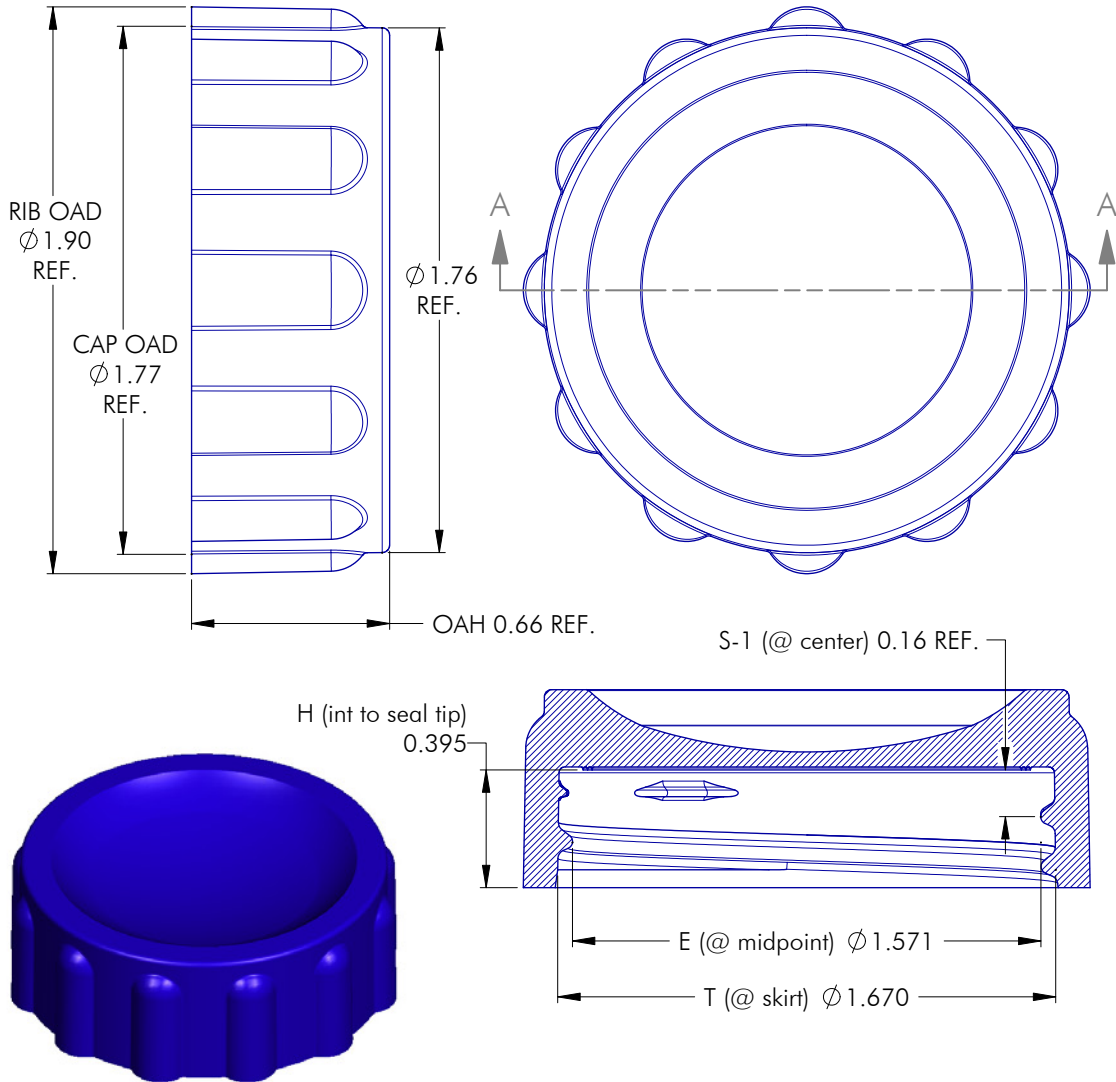
PHOENIX™

PHXPKG.COM

P 630 420 4750 E greatpkg@phxpkg.com
1899 High Grove Lane Naperville, IL 60540

SPECIALTY CLOSURES

43-400-12 S



NOTES: (UNLESS OTHERWISE SPECIFIED) 1. ALL DIMENSIONS ARE IN INCHES. 2. SEE CHART FOR DIMENSIONAL TOLERANCE.				3	01.17.14	Re-define Reference Dimensions	DN
REV	DATE	DESCRIPTION				BY	
TOLERANCE		PITCH/TPI	.167 / 6	URNS	1-1/8	MAT'L	PP
.X	± 0.1	DRAWN	DMN	DATE	10.04.06	SCALE	2 : 1
.XX	± 0.02	43 - 400 - 12 S				REV	3
.XXX	± 0.010						



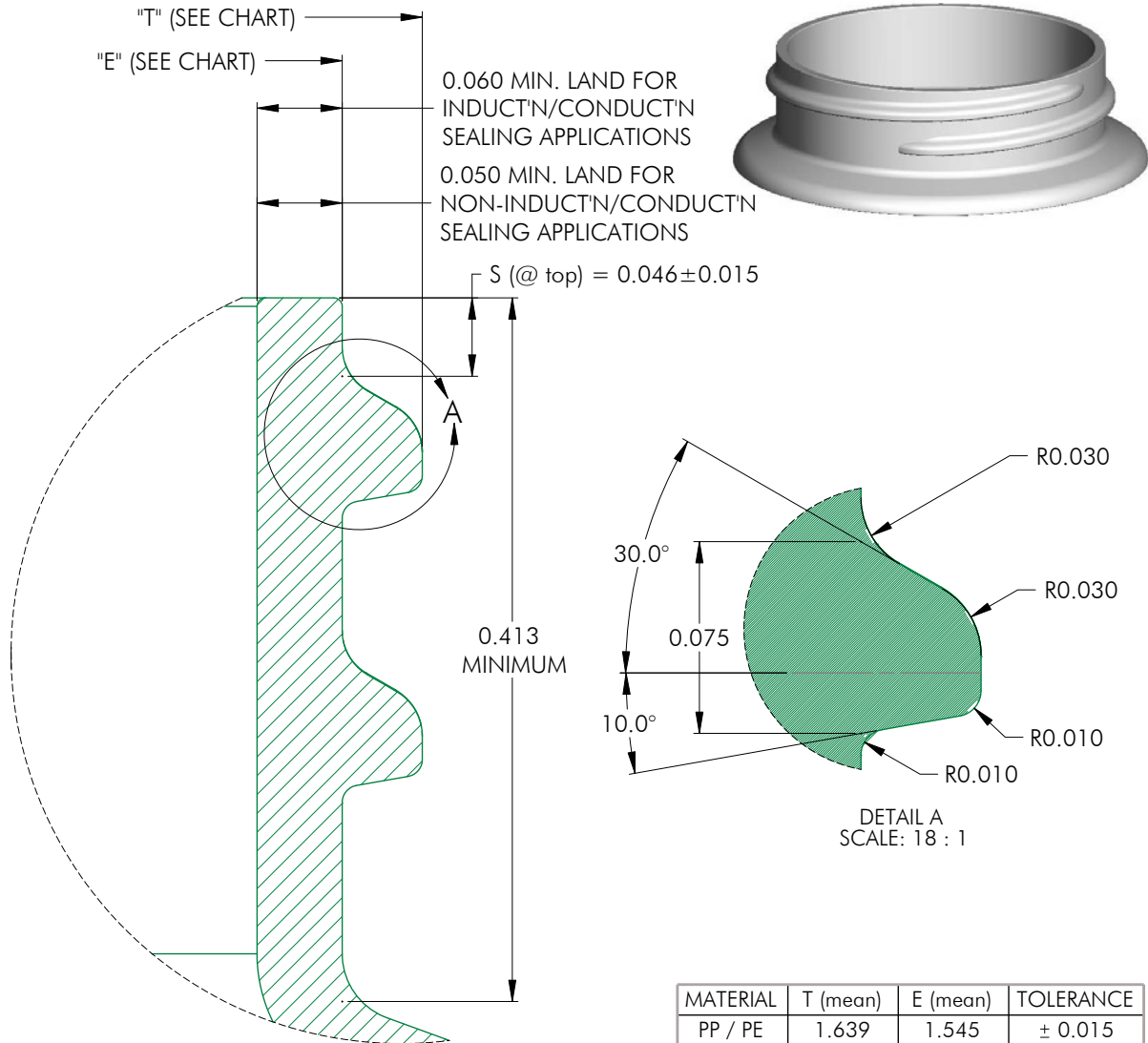
PHOENIX™

PHXPKG.COM

P 630 420 4750 E greatpkg@phxpkg.com
 1899 High Grove Lane Naperville, IL 60540

SPECIALTY CLOSURES

43-400-12 S



MATERIAL	T (mean)	E (mean)	TOLERANCE
PP / PE	1.639	1.545	± 0.015
PET	1.639	1.545	± 0.015
GLASS	N/A	N/A	± N/A

NOTES: (UNLESS OTHERWISE SPECIFIED) 1. ALL DIMENSIONS ARE IN INCHES. 2. SEE CHART FOR DIMENSIONAL TOLERANCE.		0	08.14.06	Released	BZ
REV	DATE	DESCRIPTION			BY
TOLERANCE		PITCH/TPI	.167 / 6	TURNS	1-1/8
MATERIAL		PER CHART			
.X	±0.1	DRAWN	BEZ	DATE	08.14.06
.XX	±0.02	SCALE		12 : 1	REV
.XXX	±0.010	43 - 400 - FINISH			0



PHXPKG.COM

P 630 420 4750 E greatpkg@phxpkg.com
1899 High Grove Lane Naperville, IL 60540